



ECOSYS M8124cidn
ECOSYS M8130cidn
PF-470
PF-471
DF-470
AK-470
FAX System 13

PARTS LIST

Published in August 2017
2P3PL070
First Edition

TASKalfa 2460ci
PF-470
PF-471
DF-470
AK-470
FAX System 13

パーツリスト

2017年8月 初版
2P3PL010

Items listed in the revision columns are defined as follows.

Item	Description
Add	Add a new part
Del	Delete a part
Design-chg.	A design changed part (Parts number version up)
Part No.-chg.	A part number is changed to other one.
Quantity-chg.	Change Quantity of parts to use
Others	Other changes

Revision history

Rev.	Date	Remarks

Symbols in the parts list

- Parts without a Ref.No. in the illustration indicate they are not supplied.
- Parts with a Ref.No. of 500 and above in the illustration indicate they are not selected for service parts.
- Parts with "*" are component parts or sub-assemblies of the assembly appearing immediately above them.
- Parts with "**" are component parts or sub-assembly with "*" appearing immediately above them.

<Notation of products>

For the purpose of this parts list, products are identified as following.
ECOSYS M8124cidn : 24ppm
ECOSYS M8130cidn : 30ppm

改訂欄記載項目の内容は以下の通りです。

記載項目	内容
Add	新規部品の追加
Del	部品の削除
Design-chg.	部品の設変（版数アップ）
Part No.-chg.	部品番号の変更
Quantity-chg.	部品の個数変更
Others	その他の変更

改訂履歴

Rev.	改訂日	備考

記号の見方

イラスト中で Ref 番号がない部品は供給できません。
イラスト中で 500 番台の Ref 番号が付いている部品はサービスパーツに選定されていません。
部品番号欄の・印は、組立部品の単品部品及び準組立部品を表わします。
部品番号欄の**印は、準組立部品の単品部品を表わします。

<本体機種区別表記>

パーツリスト中の本体機種区別は、以下の様に記載します。
TASKalfa 2460ci: 24ppm

TASKalfa 2460ci
ECOSYS M8124cidn
ECOSYS M8130cidn

First Edition
August 2017

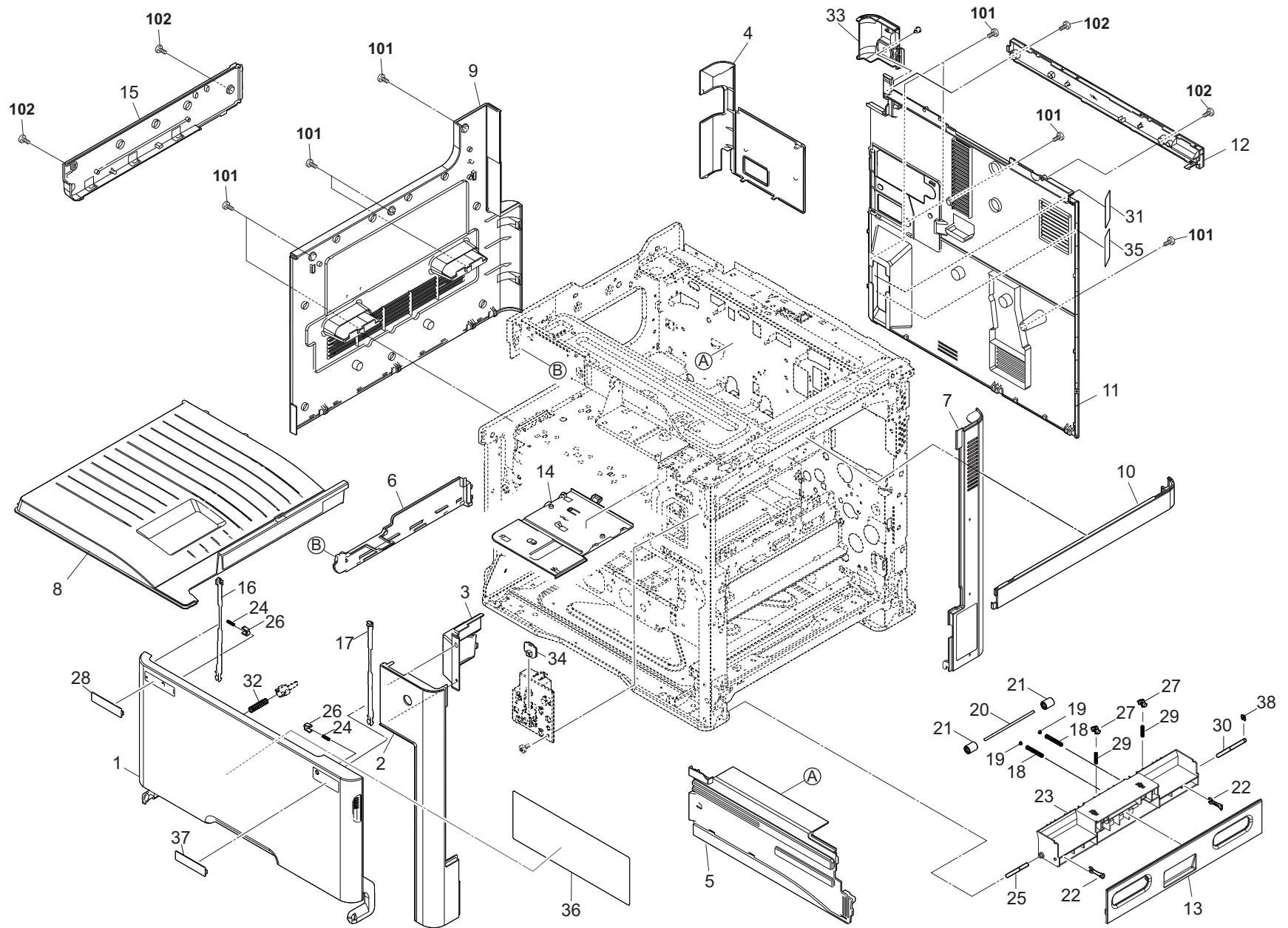


FIG. 1 Covers

2P3/2P4

Ref. No. 番号	Part.No. 部品番号	Alternative. 代替部品番号	Description 部 品 名 称	Notes 備 考	Revision 改 訂	Quantity 個数			
						100(日本)	120	230	240
1	302P304010	2P304010	COVER FRONT			1	1	1	1
2	302P304020	2P304020	COVER FRONT TOP			1	1	1	1
3	302P304210	2P304210	COVER EXIT FRONT			1	1	1	1
4	302P304080	2P304080	LID CONTROLLER BOX			1	1	1	1
5	302P304050	2P304050	COVER EXIT REAR			1	1	1	1
6	302P304060	2P304060	COVER TRAY LEFT			1	1	1	1
7	302K004060	2K004060	COVER RIGHT REAR			1	1	1	1
8	302P304100	2P304100	COVER TRAY			1	1	1	1
9	302P304030	2P304030	COVER LEFT LOW			1	1	1	1
10	302P104100	2P104100	COVER RIGHT MIDDLE			1	1	1	1
11	302P304070	2P304070	COVER REAR			1	1	1	1
12	302P104130	2P104130	COVER REAR TOP			1	1	1	1
13	302K304070	2K304070	COVER RIGHT LOW			1	1	1	1
14	302P204020	2P204020	COVER EXIT FRONT UPPER	24ppm		1	1	1	1
14	302P104210	2P104210	COVER EXIT FRONT UPPER	30ppm			1	1	1
15	302P304040	2P304040	COVER LEFT MIDDLE			1	1	1	1
16	302K304320	2K304320	STRAP COVER FRONT L			1	1	1	1
17	302K304230	2K304230	STRAP COVER FRONT R			1	1	1	1
18	303NN24180	3NN24180	SPRING FEED LOW			2	2	2	2
19	2FM04150	2FM04150	CAP SPRING /B-11 ENCLOSURE A4			2	2	2	2
20	302BG06152	2BG06152	SHAFT FEED B			1	1	1	1
21	3HY07120	3HY07120	PULLEY 15 DUPLEX			2	2	2	2
22	302H024510	2H024510	STOPPER SHUTTER			2	2	2	2
23	302K306320	2K306320	GUIDE COVER INNER			1	1	1	1
24	302K004281	2K004281	SPRING FRONT COVER			2	2	2	2
25	302K306330	2K306330	SHAFT INNER ROLLER F			1	1	1	1
26	2FB07330	2FB07330	STOPPER BYPASS TABLE			2	2	2	2
27	302K306340	2K306340	STOPPER INNER GUIDE			2	2	2	2
28	302DY04091	2DY04091	EMBLEM KC 1SG 70 W			1	1	1	1
29	302K306350	2K306350	SPRING INNER GUIDE			2	2	2	2
30	302K306380	2K306380	SHAFT INNER ROLLER R			1	1	1	1
31	302P434030	2P434030	LABEL DEHUMIDIFIER SWITCH	24ppm		1	1	1	1
32	302P304150	2P304150	SPRING HOLDER SWITCH			1	1	1	1
33	302P304140	2P304140	COVER WIFI			1	1	1	1
34	302NG94300	2NG94300	PARTS PWB SWITCH ASSY SP			1	1	1	1
35	302K034280	2K034280	LABEL DEHUMIDIFIER SWITCH A	30ppm			1		
35	302K034270	2K034270	LABEL DEHUMIDIFIER SWITCH E	30ppm				1	1
36	302K034180	2K034180	SHEET COVER FRONT			1	1	1	1
37	302P334020	2P334020	LABEL EMBLEM M8130	30ppm			1	1	1
37	302P434020	2P434020	LABEL EMBLEM M8124	24ppm			1	1	1
37	302P434010	2P434010	LABEL EMBLEM 2460	24ppm		1			
38	5MVX111DN003	2A806250	RING STOPPER /A-49 FEED A4			1	1	1	1
101	7BB702308H	B702308H	+TP-FLAT T.T S SCREW 3X8 SR						
102	7BB782308H	B782308H	+TP-FLAT T.T S SCREW 3X8 SR(BLACK)						

• Parts with a Ref.No. of 500 and above in the illustration indicate they are not selected for service parts.

• イラスト中で 500 番台の Ref 番号が付いている部品はサービスパーツに選定されていません。

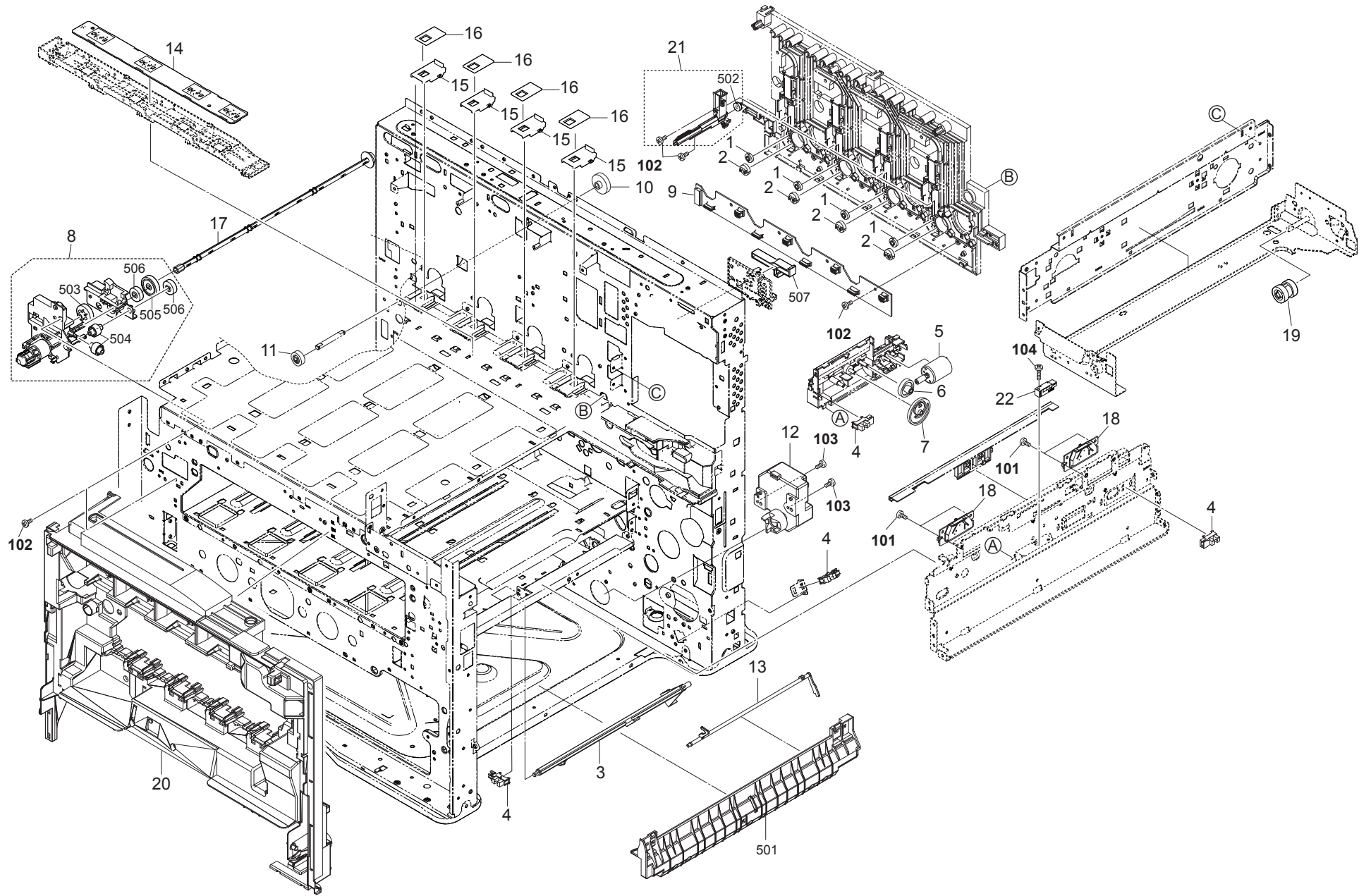


FIG. 2 Frames 1

Ref. No. 番号	Part.No. 部品番号	Alternative. 代替部品番号	Description 部 品 名 称	Notes 備 考	Revision 改 訂	Quantity 個数			
						100(日本)	120	230	240
1	302K015230	2K015230	GEAR IDLE Z22S			4	4	4	4
2	302K015240	2K015240	GEAR JOINT Z26S			4	4	4	4
3	302K002230	2K002230	ACTUATOR PAPER EMPTY			1	1	1	1
4	7NXGP1S173LCH01	NX116910	SENSOR OPT.			4	4	4	4
5	302K094100	2K094100	PARTS DC MOTOR SP			1	1	1	1
6	302K002880	2K002880	WORM-WHEEL ID SENSOR CLEANING			1	1	1	1
7	302K002890	2K002890	GEAR ID SENSOR CLEANING Z71R			1	1	1	1
8	302P394030	2P394030	PARTS PIPE TRANSFER CLEANING ASSY SP			1	1	1	1
9	302P394170	2P394170	PARTS PWB DRUM DLP CONNECT ASSY SP			1	1	1	1
10	302K031720	2K031720	GEAR BELT CLEANING DRIVE Z30L			1	1	1	1
11	302K031740	2K031740	GEAR BELT CLEANING DRIVE Z20L			1	1	1	1
12	302K394190	2K394190	PARTS MOTOR LIFT ASSY SP			1	1	1	1
13	302K302831	2K302831	ACTUATOR DECK FEED			1	1	1	1
14	302P394160	2P394160	PARTS PWB CONTAINER CONNECT ASSY SP			1	1	1	1
15	302K015200	2K015200	SHUTTER TONER SUPPLY A			4	4	4	4
16	302K015340	2K015340	SEAL SHUTTER SUPPLY			4	4	4	4
17	302MV21110	2MV21110	SHAFT TRANSFER CLEANING DRIVE			1	1	1	1
18	302P394050	2P394050	PARTS ID SENSOR ASSY SP			2	2	2	2
19	302P326540	2P326540	GEAR IDLE Z20S			1	1	1	1
20	302K002A32	2K002A32	COVER INNER FRONT			1	1	1	1
21	302K094050	2K094050	PARTS TONER SUPPLY ASSY SP			4	4	4	4
22	3H327410	3H327410	SENSOR,CONVEYING			1	1	1	1
101	7BB700308H	B700308H	+BIND T.T S SCREW 3X8 SR						
102	7BB200308H	B200308H	+BIND T.T P SCREW 3X8						
103	7BB700312H	B700312H	+BIND T.T S SCREW 3X12 SR						
104	7BB607312H	BB107140	+TP-CUP M SCREW 3X12 R						

• Parts with a Ref.No. of 500 and above in the illustration indicate they are not selected for service parts.

• イラスト中で 500 番台の Ref 番号が付いている部品はサービスパーツに選定されていません。

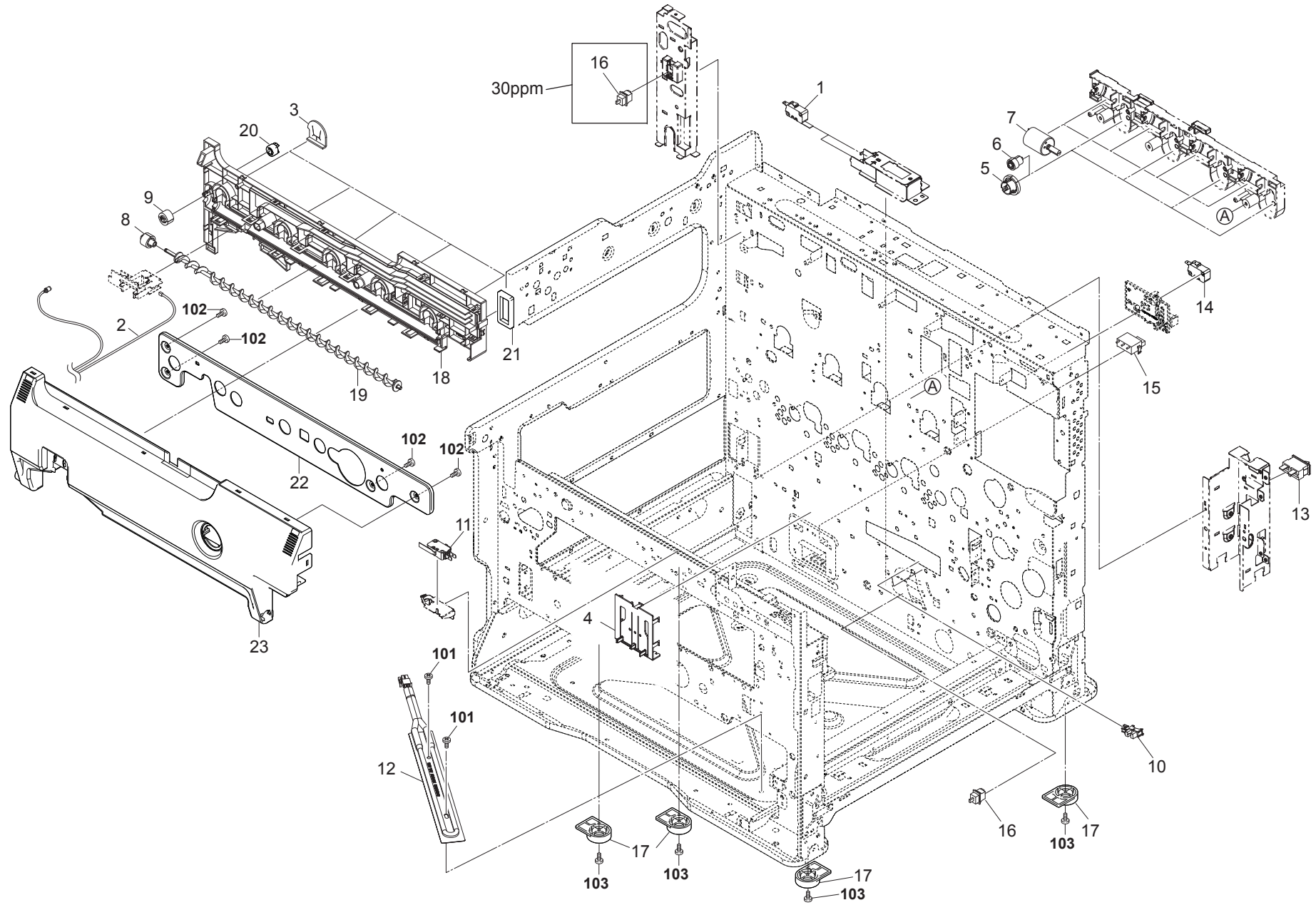


FIG. 3 Frames 2

Ref. No. 番号	Part.No. 部品番号	Alternative. 代替部品番号	Description 部 品 名 称	Notes 備 考	Revision 改 訂	Quantity 個数			
						100(日本)	120	230	240
1	2FB27160	2FB27160	INTER LOCK SWITCH			2	2	2	2
2	302K094280	2K094280	PARTS TONER FULL DETECT ASSY SP			1	1	1	1
3	302K003280	2K003280	SEAL CASE WASTE C			5	5	5	5
4	302K309410	2K309410	PLATE SIZE DETECTION			1	1	1	1
5	302K015040	2K015040	GEAR Z50S			4	4	4	4
6	302K015030	2K015030	GEAR Z20S-Z26L			4	4	4	4
7	302K094100	2K094100	PARTS DC MOTOR SP			4	4	4	4
8	302K003060	2K003060	GEAR SCREW WASTE Z13L			1	1	1	1
9	302K003110	2K003110	GEAR WASTE Z13L			1	1	1	1
10	7NXGP1S173LCH01	NX116910	SENSOR OPT.			2	2	2	2
11	7SM010303+++H01	SM037910	SW.MICRO			1	1	1	1
12	302K302440	2K302440	HEATER DEHUMIDIFIER 240					1	1
12	302K302430	2K302430	HEATER DEHUMIDIFIER 120				1		
12	302K302420	2K302420	HEATER DEHUMIDIFIER 100	24ppm		1			
13	7SC010104+++H01	SC055490	SW.SEESAW			1	1	1	1
14	7SM010104+++H01	SM055200	SW.MICRO			1	1	1	1
15	7SP03090001+H01	SP145850	SW.PUSH			1	1	1	1
16	7SP01000001+H01	SP044290	SW.PUSH	24ppm		1	1	1	1
16	7SP01000001+H01	SP044290	SW.PUSH	30ppm			2	2	2
17	302MV02190	2MV02190	FOOT			4	4	4	4
18	302K003022	2K003022	CASE WASTE A			1	1	1	1
19	302K003050	2K003050	SCREW WASTE			1	1	1	1
20	302K003140	2K003140	JOINT WASTE C			1	1	1	1
21	302K003331	2K003331	SEAL CASE WASTE D			1	1	1	1
22	302K003621	2K003621	PLATE HOUSING WASTE			1	1	1	1
23	302K003012	2K003012	HOUSING WASTE			1	1	1	1
101	7BB700308H	B700308H	+BIND T.T S SCREW 3X8 SR						
102	7BB200308H	B200308H	+BIND T.T P SCREW 3X8						
103	7BB702308H	B702308H	+TP-FLAT T.T S SCREW 3X8 SR						

• Parts with a Ref.No. of 500 and above in the illustration indicate they are not selected for service parts.

• イラスト中で 500 番台の Ref 番号が付いている部品はサービスパーツに選定されていません。

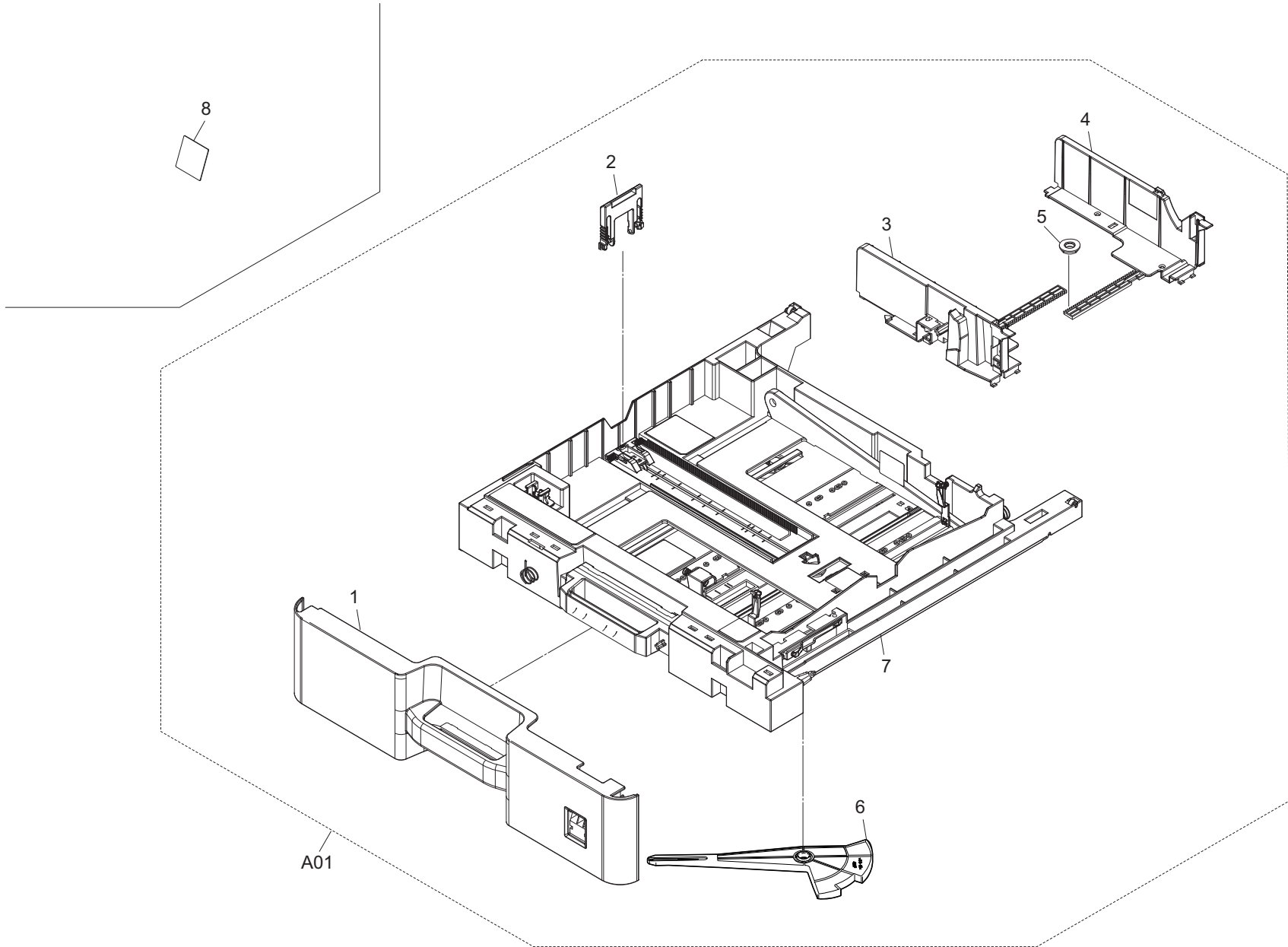


FIG. 4 Paper Cassette

2P3/2P4

Ref. No. 番号	Part.No. 部品番号	Alternative. 代替部品番号	Description 部品名称	Notes 備考	Revision 改訂	Quantity 個数			
						100(日本)	120	230	240
A01	302K393174	2K393174	CT-475			1	1	1	1
1	*302K309080	2K309080	COVER CASSETTE			1	1	1	1
2	*302K309270	2K309270	CURSOR END			1	1	1	1
3	*302K309130	2K309130	CURSOR CASSETTE FRONT			1	1	1	1
4	*302K309120	2K309120	CURSOR CASSETTE REAR			1	1	1	1
5	*302K394380	2K394380	PARTS GEAR Z18 SP			1	1	1	1
6	*302K309041	2K309041	ARM SIZE DETECTION			1	1	1	1
7	*302K309021	2K309021	BASE CASSETTE			1	1	1	1
8	302K334090	2K334090	SHEET CASSETTE C			2		2	2
8	302K334100	2K334100	SHEET CASSETTE I				2		

• Parts with a Ref.No. of 500 and above in the illustration indicate they are not selected for service parts.

・イラスト中で 500 番台の Ref 番号が付いている部品はサービスパーツに選定されていません。

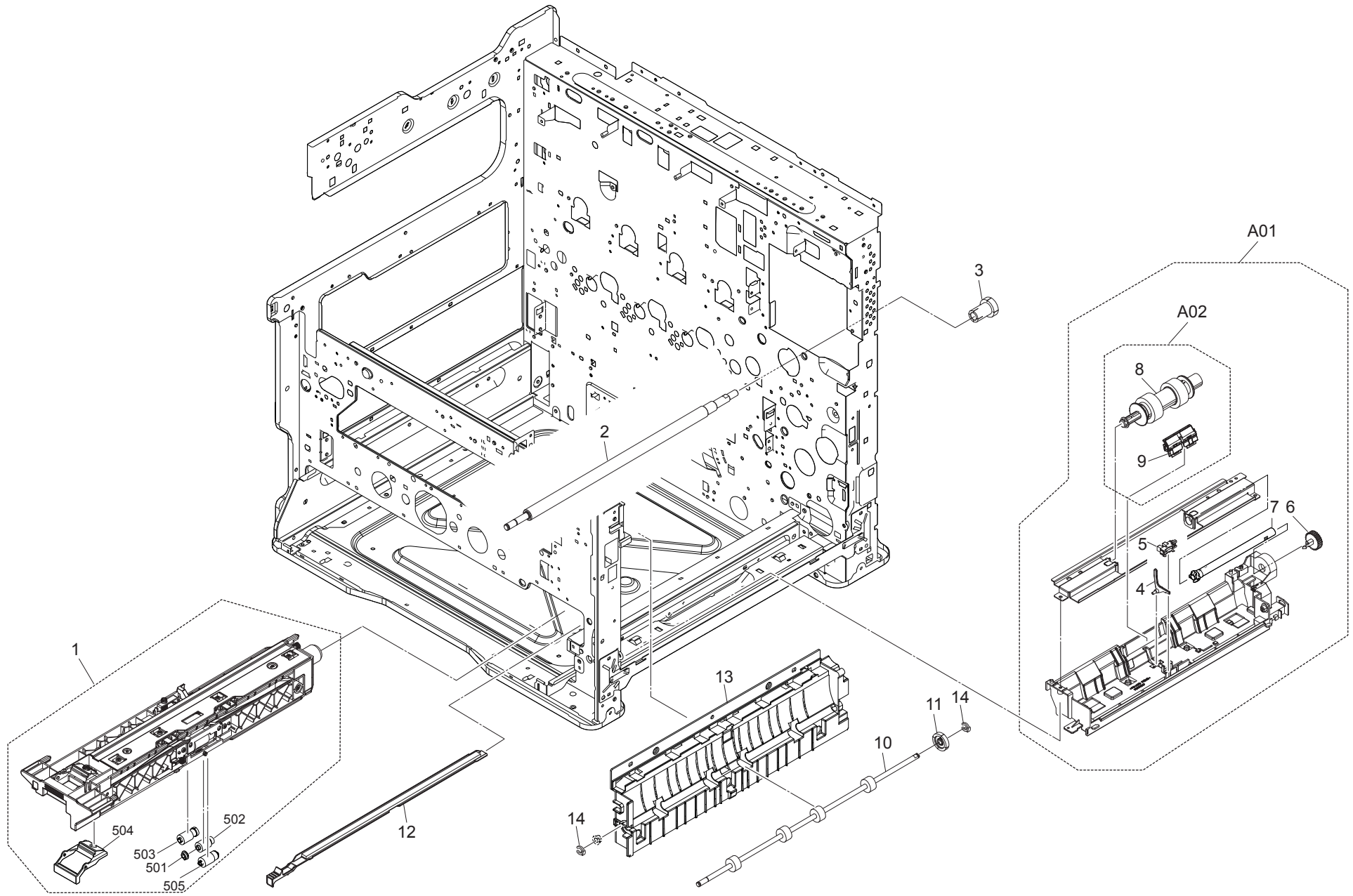


FIG. 5 Paper Feed Section

2P3/2P4

Ref. No. 番号	Part.No. 部品番号	Alternative. 代替部品番号	Description 部品名称	Notes 備考	Revision 改訂	Quantity 個数			
						100(日本)	120	230	240
1	302K394480	2K394480	PRIMARY FEED UNIT			1	1	1	1
2	302K394230	2K394230	PARTS ROLLER REGIST LEFT SP			1	1	1	1
3	302K394310	2K394310	PARTS GEAR REGIST Z28L-Z18L SP			1	1	1	1
A01	302P194040	2P194040	PARTS MPF ASSY SP			1	1	1	1
4	*302K308020	2K308020	ACTUATOR MPF			1	1	1	1
5	*7NXGP1S173LCH01	NX116910	SENSOR OPT.			1	1	1	1
6	*302K394320	2K394320	PARTS GEAR MPF Z28 SP			1	1	1	1
7	*302K308080	2K308080	SHAFT MPF			1	1	1	1
A02	*302P194310	2P194310	MPF ROLLER-PAD SET	for customer		1	1	1	1
8	**302K394460	2K394460	MPF ROLLER	service only		1	1	1	1
9	**302P194090	2P194090	SEPARATION PAD	service only		1	1	1	1
10	302K094330	2K094330	PARTS ROLLER MIDDLE SP			1	1	1	1
11	302HS31120	2HS31120	GEAR Z27L CLUTCH			1	1	1	1
12	302K094400	2K094400	REGIST CLEANER			1	1	1	1
13	302P324050	2P324050	GUIDE FEED CASSETTE			1	1	1	1
14	5MVX111DN003	2A806250	RING STOPPER /A-49 FEED A4			2	2	2	2

• Parts with a Ref.No. of 500 and above in the illustration indicate they are not selected for service parts.

• イラスト中で 500 番台の Ref 番号が付いている部品はサービスパーツに選定されていません。

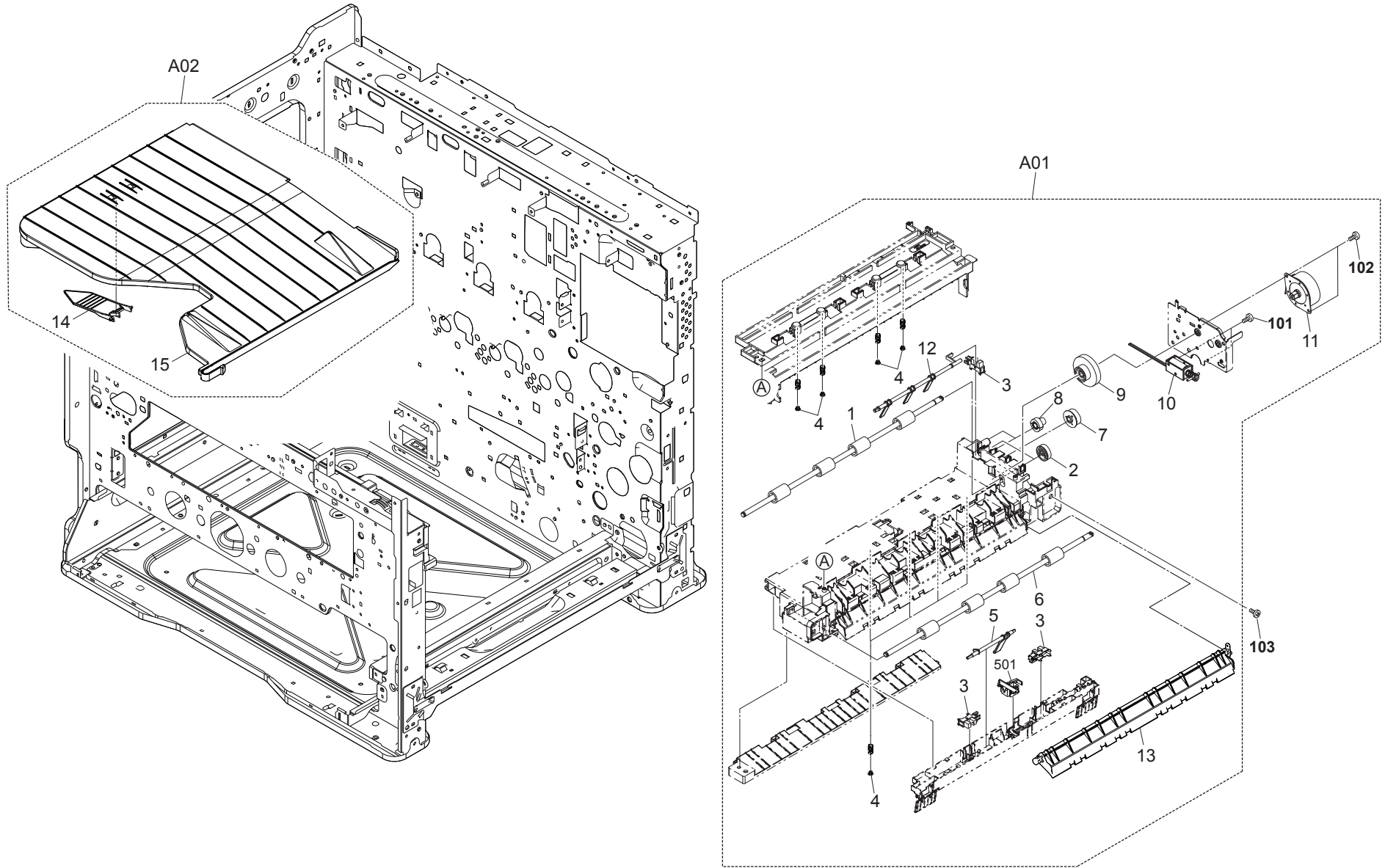


FIG. 6 Exit Section

2P3/2P4

Ref. No. 番号	Part.No. 部品番号	Alternative. 代替部品番号	Description 部品名称	Notes 備考	Revision 改訂	Quantity 個数			
						100(日本)	120	230	240
A01	302P394040	2P394040	PARTS EXIT UNIT SP			1	1	1	1
1	*302K094350	2K094350	PARTS ROLLER EXIT REVERSE SP			1	1	1	1
2	*302P328050	2P328050	GEAR Z21S EXIT			2	2	2	2
3	*7NXGP1S173LCH01	NX116910	SENSOR OPT.			3	3	3	3
4	*2FM04150	2FM04150	CAP SPRING /B-11 ENCLOSURE A4			8	8	8	8
5	*302K028080	2K028080	ACTUATOR EXIT OVERFLOW LOW			1	1	1	1
6	*302K094340	2K094340	PARTS ROLLER EXIT FD SP			1	1	1	1
7	*302K028260	2K028260	GEAR Z23S EXIT			1	1	1	1
8	*302KP29090	2KP29090	GEAR IDLE Z18S			2	2	2	2
9	*302K394340	2K394340	PARTS GEAR Z74R-Z22S EXIT SP			1	1	1	1
10	*303LJ94150	3LJ94150	PARTS SOLENOID FEED SHIFT SP			1	1	1	1
11	*302HN44100	2HN44100	MOTOR REVERSE			1	1	1	1
12	*302K028090	2K028090	ACTUATOR EXIT OVERFLOW UP			1	1	1	1
13	*302K028060	2K028060	GUIDE CHANGE			1	1	1	1
A02	302MV94550	2MV94550	PARTS TRAY EJECT ASSY SP			1	1	1	1
14	*302K317820	2K317820	STOPPER PAPER C			1	1	1	1
15	*302MV04730	2MV04730	TRAY EJECT			1	1	1	1
101	7BB000303H	B000303H	+BIND M SCREW 3X3						
102	7BB700308H	B700308H	+BIND T.T S SCREW 3X8 SR						
103	7BB200410H	B200410H	+BIND T.T P SCREW 4X10						

• Parts with a Ref.No. of 500 and above in the illustration indicate they are not selected for service parts.

・イラスト中で 500 番台の Ref 番号が付いている部品はサービスパーツに選定されていません。

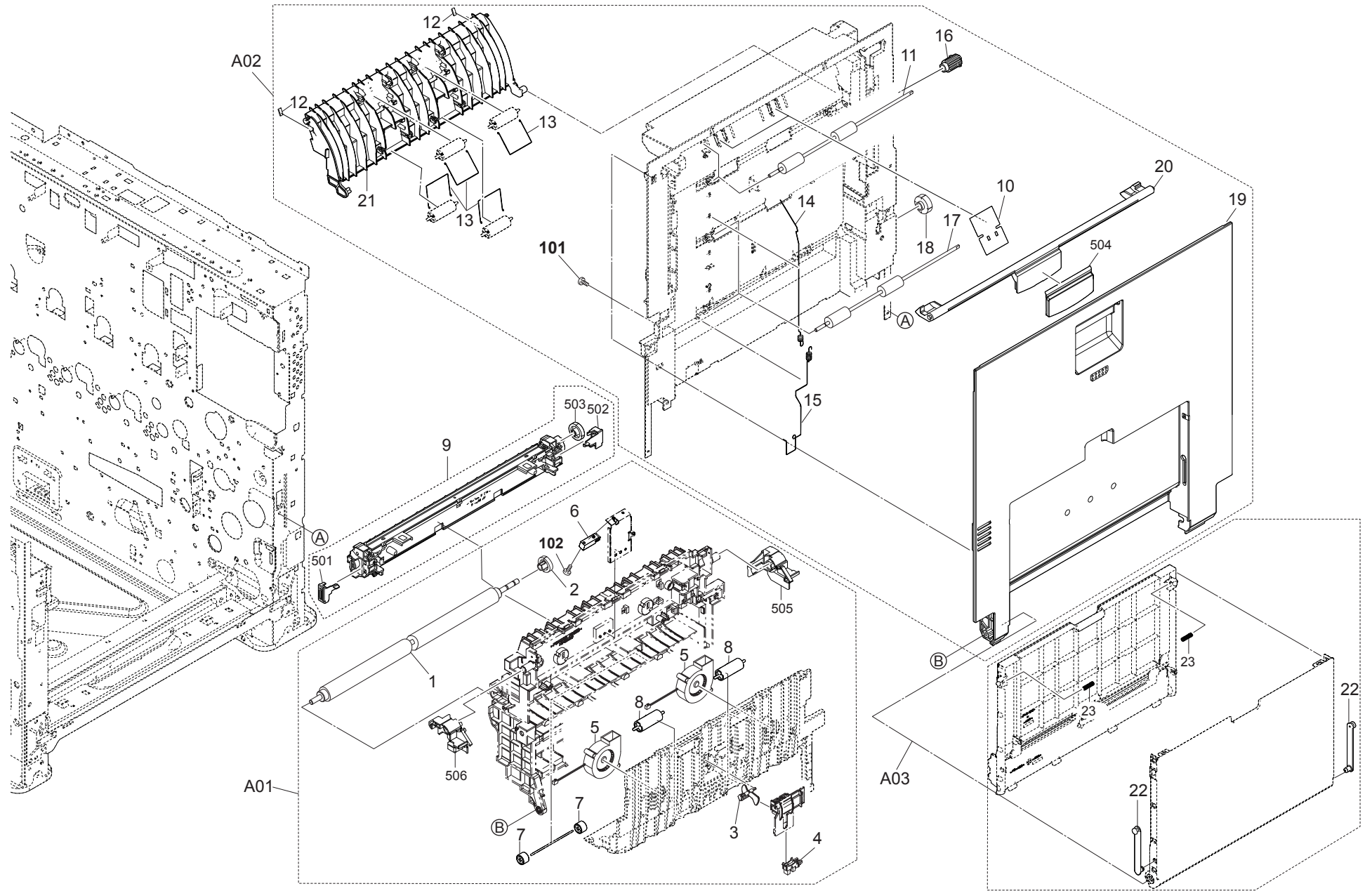


FIG. 7 Paper Conveying Section

2P3/2P4

Ref. No. 番号	Part.No. 部品番号	Alternative. 代替部品番号	Description 部 品 名 称	Notes 備 考	Revision 改 訂	Quantity 個数			
						100(日本)	120	230	240
A01	302P394010	2P394010	PARTS CONVEYING UNIT SP			1	1	1	1
1	*302K094420	2K094420	PARTS ROLLER REGIST RIGHT SP			1	1	1	1
2	*302K394330	2K394330	PARTS GEAR REGIST Z24R SP			1	1	1	1
3	*302K329040	2K329040	ACTUATOR DU			1	1	1	1
4	*7NXGP1S173LCH01	NX116910	SENSOR OPT.			1	1	1	1
5	*302HN44210	2HN44210	FAN MOTOR			2	2	2	2
6	*3H327410	3H327410	SENSOR,CONVEYING			1	1	1	1
7	*302MV24030	2MV24030	PULLEY MIDDLE			4	4	4	4
8	*302K329020	2K329020	PULLEY DU			4	4	4	4
9	302P393010	2P393010	TR-8115B			1	1	1	1
A02	302P394020	2P394020	PARTS COVER RIGHT ASSY SP			1	1	1	1
10	*302K029100	2K029100	SPONGE RIGHT COVER			2	2	2	2
11	*302K094390	2K094390	PARTS ROLLER DU B SP			2	2	2	2
12	*302K029090	2K029090	SPONGE GUIDE			2	2	2	2
13	*302K029080	2K029080	SPRING DU FEED			4	4	4	4
14	*302K029070	2K029070	WIRE EARTH DU B			1	1	1	1
15	*302K029060	2K029060	WIRE EARTH DU A			1	1	1	1
16	*302K029030	2K029030	PULLEY DU 26 B			1	1	1	1
17	*302K394250	2K394250	PARTS ROLLER DU SP			2	2	2	2
18	*302K394400	2K394400	PARTS GEAR DU Z27L SP			1	1	1	1
19	*302K004271	2K004271	COVER RIGHT MIDDLE			1	1	1	1
20	*302K304520	2K304520	HOOK RIGHT COVER			1	1	1	1
21	*302P329010	2P329010	GUIDE EXIT RIGHT B			1	1	1	1
A03	302K394471	2K394471	PARTS MPF TABLE ASSY SP			1	1	1	1
22	*302K308460	2K308460	STRAP LINK MPF			2	2	2	2
23	*302FB17700	2FB17700	SPRING BYPASS TEBLE			2	2	2	2
101	7BB200308H	BB105660	+BIND T.T P SCREW 3X8						
102	7BB607312H	BB107140	+TP-CUP M SCREW 3X12 R						

• Parts with a Ref.No. of 500 and above in the illustration indicate they are not selected for service parts.

• イラスト中で 500 番台の Ref 番号が付いている部品はサービスパーツに選定されていません。

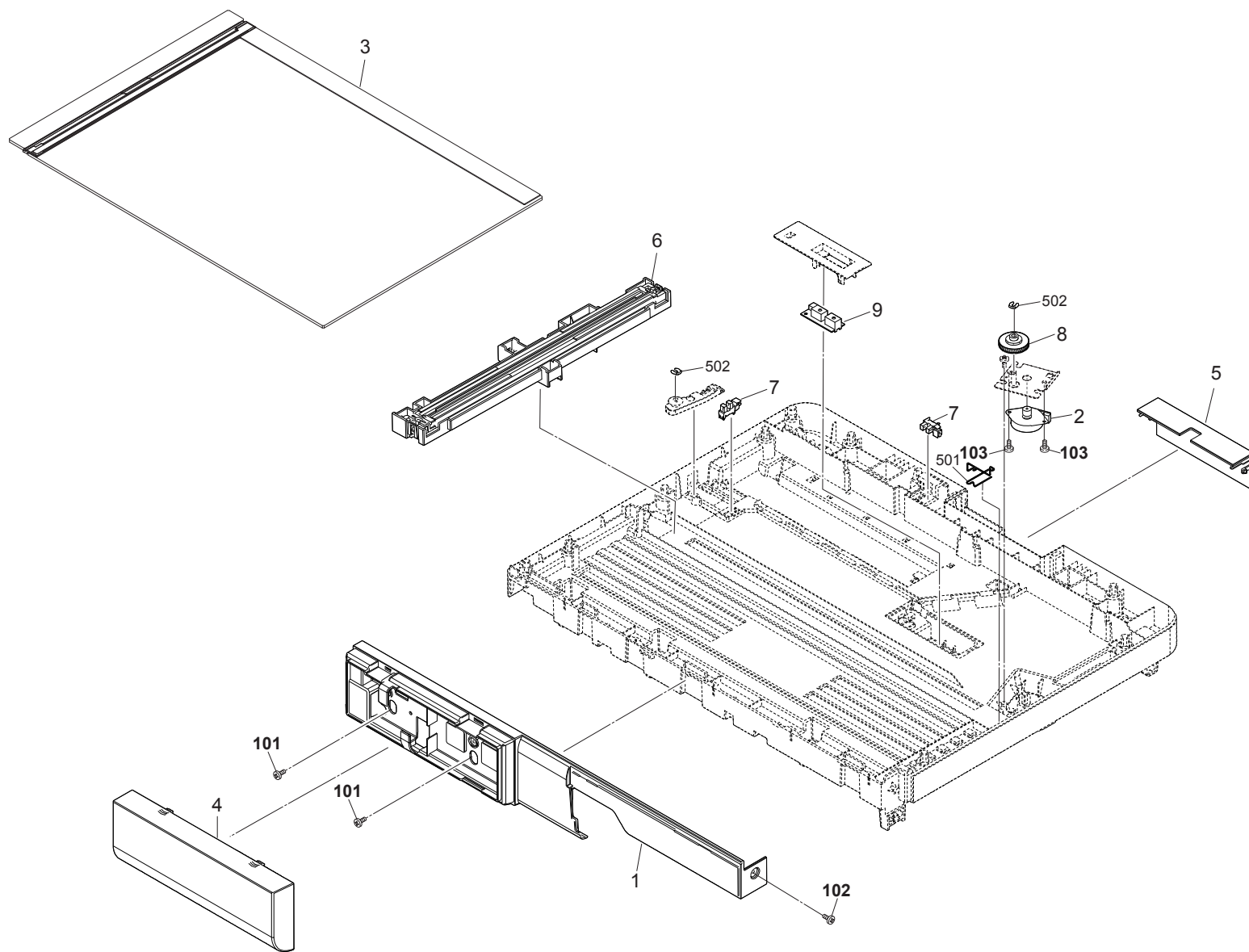


FIG. 8 Scanner Section(24ppm)

2P3/2P4

Ref. No. 番号	Part.No. 部品番号	Alternative. 代替部品番号	Description 部品名称	Notes 備考	Revision 改訂	Quantity 個数			
						100(日本)	120	230	240
1	302P204010	2P204010	COVER ISU FRONT			1	1	1	1
2	302NG94211	2NG94211	PARTS MOTOR ISU SP			1	1	1	1
3	302P294070	2P294070	PARTS CONTACT-GLASS ASSY SP			1	1	1	1
4	302P104170	2P104170	COVER CARD-READER			1	1	1	1
5	302P117120	2P117120	COVER DP CONNECTOR			1	1	1	1
6	302P293010	2P293010	PARTS CIS ASSY SP			1	1	1	1
7	303M894260	3M894260	PARTS SENSOR OPT SP			2	2	2	2
8	302NG17070	2NG17070	GEAR P21-Z62R			1	1	1	1
9	302ND94800	2ND94800	PARTS SENSOR OPT SP			1	1	1	1
101	7BB782308H	BB111300	+TP-FLAT T.T S SCREW 3X8 SR(BLACK)						
102	7BB282308H	BB111240	+TP-FLAT T.T P SCREW 3X8(BLACK)						
103	7BB700308H	BB105600	+BIND T.T S SCREW 3X8 SR						

• Parts with a Ref.No. of 500 and above in the illustration indicate they are not selected for service parts.

• イラスト中で 500 番台の Ref 番号が付いている部品はサービスパーツに選定されていません。

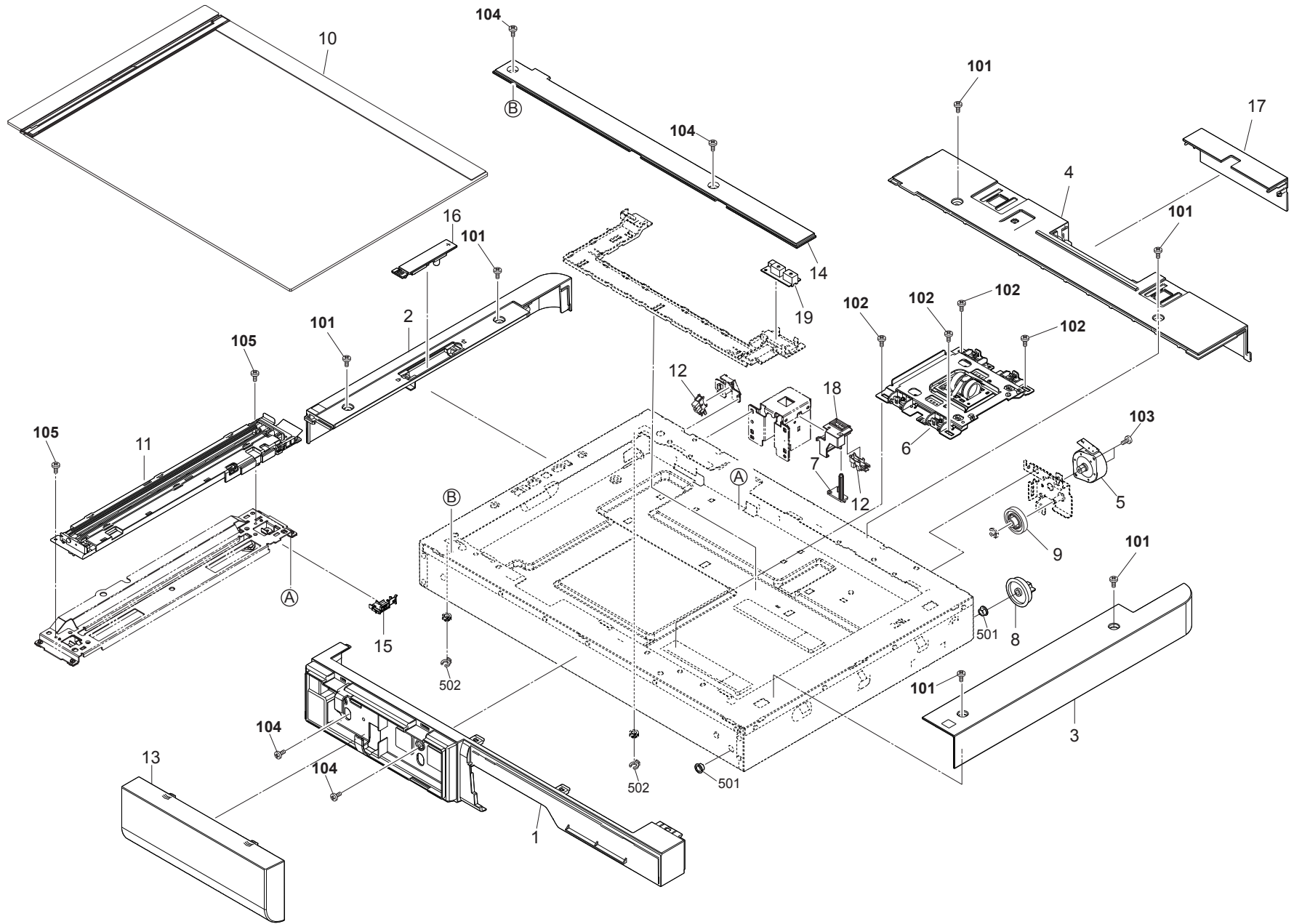


FIG. 9 Scanner Section(30ppm)

2P3/2P4

Ref. No. 番号	Part.No. 部品番号	Alternative. 代替部品番号	Description 部 品 名 称	Notes 備 考	Revision 改 訂	Quantity 個数			
						100(日本)	120	230	240
1	302P104110	2P104110	COVER ISU FRONT				1	1	1
2	302P104040	2P104040	COVER ISU LEFT				1	1	1
3	302P104030	2P104030	COVER ISU RIGHT				1	1	1
4	302P104050	2P104050	COVER ISU REAR				1	1	1
5	302HN44100	2HN44100	MOTOR REVERSE				1	1	1
6	302P193120	2P193120	PARTS ISU SP				1	1	1
7	302K317250	2K317250	SWITCH RELEASE				1	1	1
8	302RH17060	2RH17060	GEAR P54				1	1	1
9	302K394370	2K394370	PARTS GEAR Z18-Z63R SP				1	1	1
10	302P194050	2P194050	PARTS CONTACT-GLASS ASSY(C) SP					1	1
10	302P194060	2P194060	PARTS CONTACT-GLASS ASSY(I) SP				1		
11	302P193110	2P193110	PARTS MOUNT LED ASSY				1	1	1
12	7NXGP1S173LCH01	NX116910	SENSOR OPT.				2	2	2
13	302P104170	2P104170	COVER CARD-READER				1	1	1
14	302P104160	2P104160	COVER ISU FRONT A				1	1	1
15	302V617080	2V617080	GUIDE FFC LED				1	1	1
16	302P104220	2P104220	COVER ISU LEFT SUB				1	1	1
17	302P117120	2P117120	COVER DP CONNECTOR				1	1	1
18	302K317260	2K317260	MOUNT RELEASE SWITCH				1	1	1
19	302ND94800	2ND94800	PARTS SENSOR OPT SP				1	1	1
101	7BB702308H	BB107060	+TP-FLAT T.T S SCREW 3X8 SR						
102	7BB606308H	BB105280	+PAN M SCREW WITH SW W 3X8 R						
103	7BB700308H	BB105600	+BIND T.T S SCREW 3X8 SR						
104	7BB782308H	BB111300	+TP-FLAT T.T S SCREW 3X8 SR(BLACK)						
105	7BB100306H1	BB105820	+BIND T.T S SCREW 3X6						

• Parts with a Ref.No. of 500 and above in the illustration indicate they are not selected for service parts.

• イラスト中で 500 番台の Ref 番号が付いている部品はサービスパーツに選定されていません。

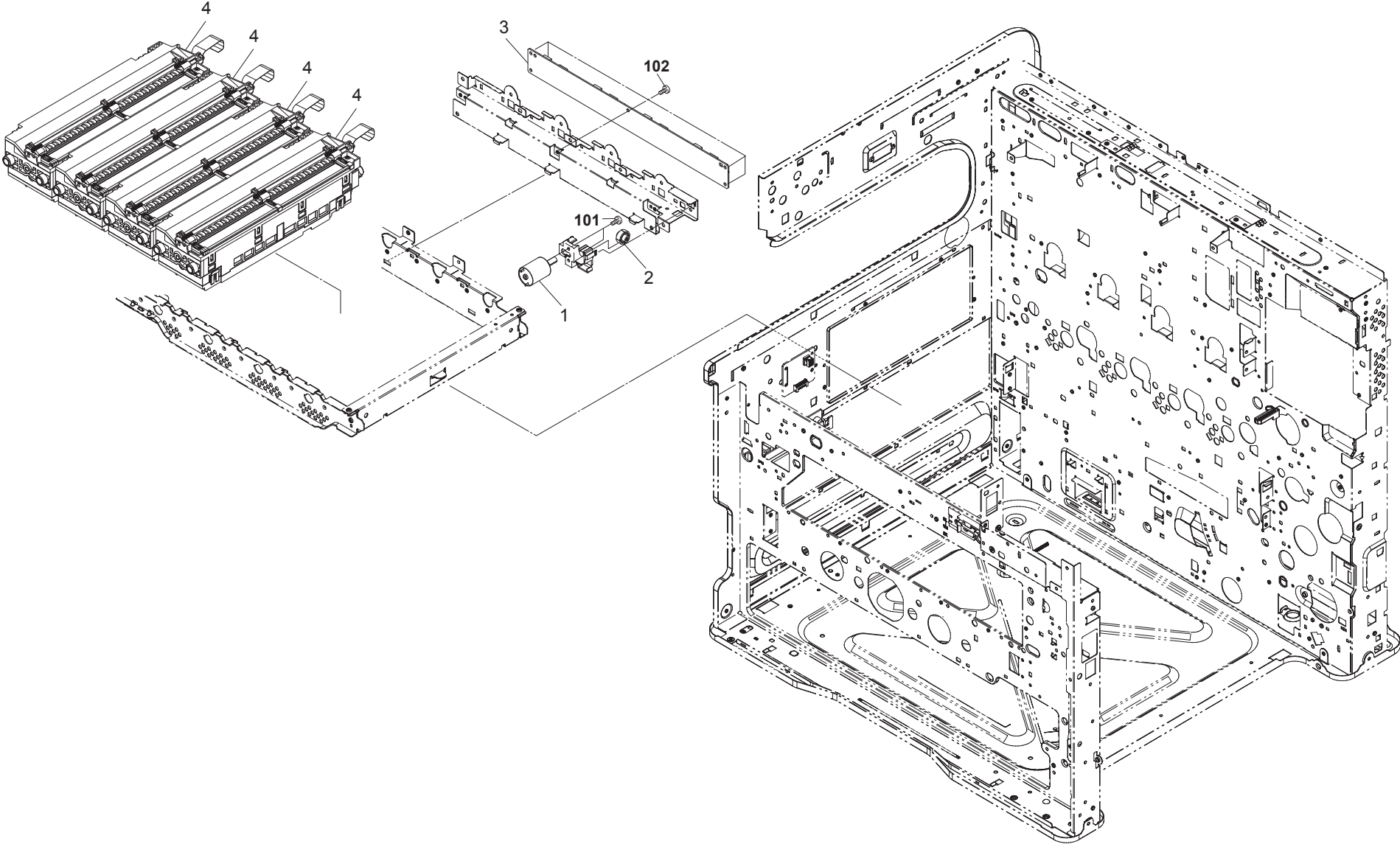


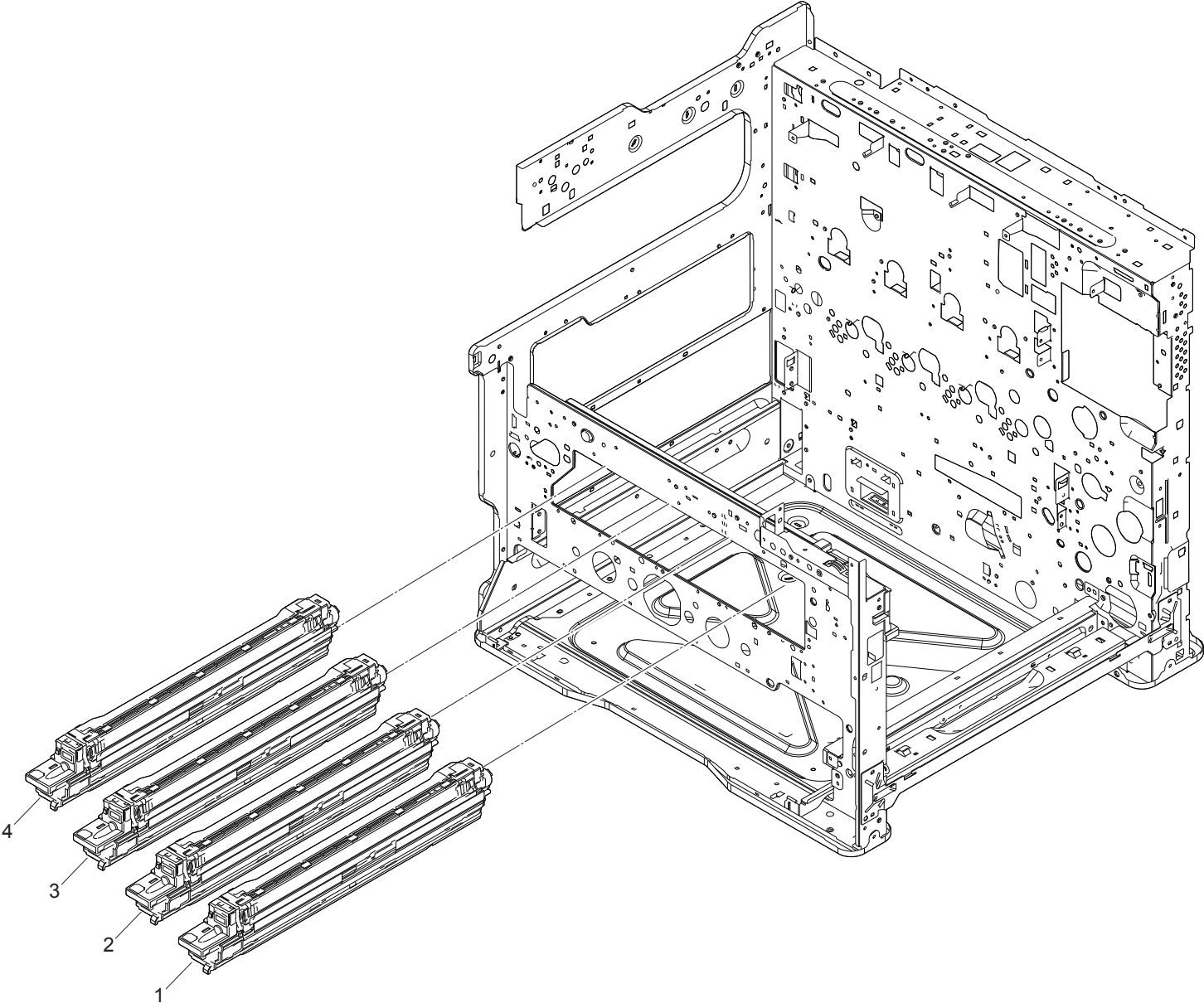
FIG. 10 Laser Scanner Section

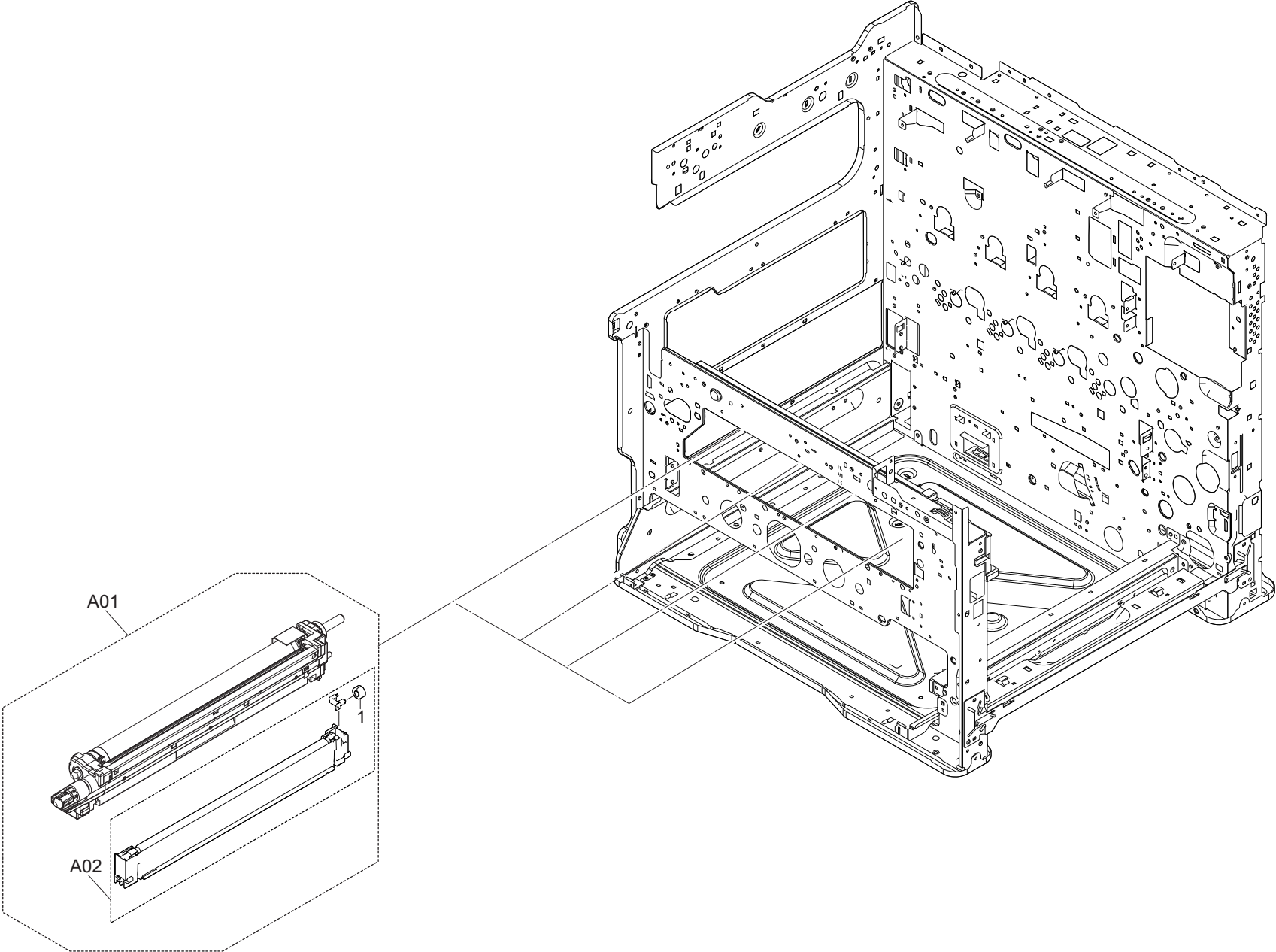
2P3/2P4

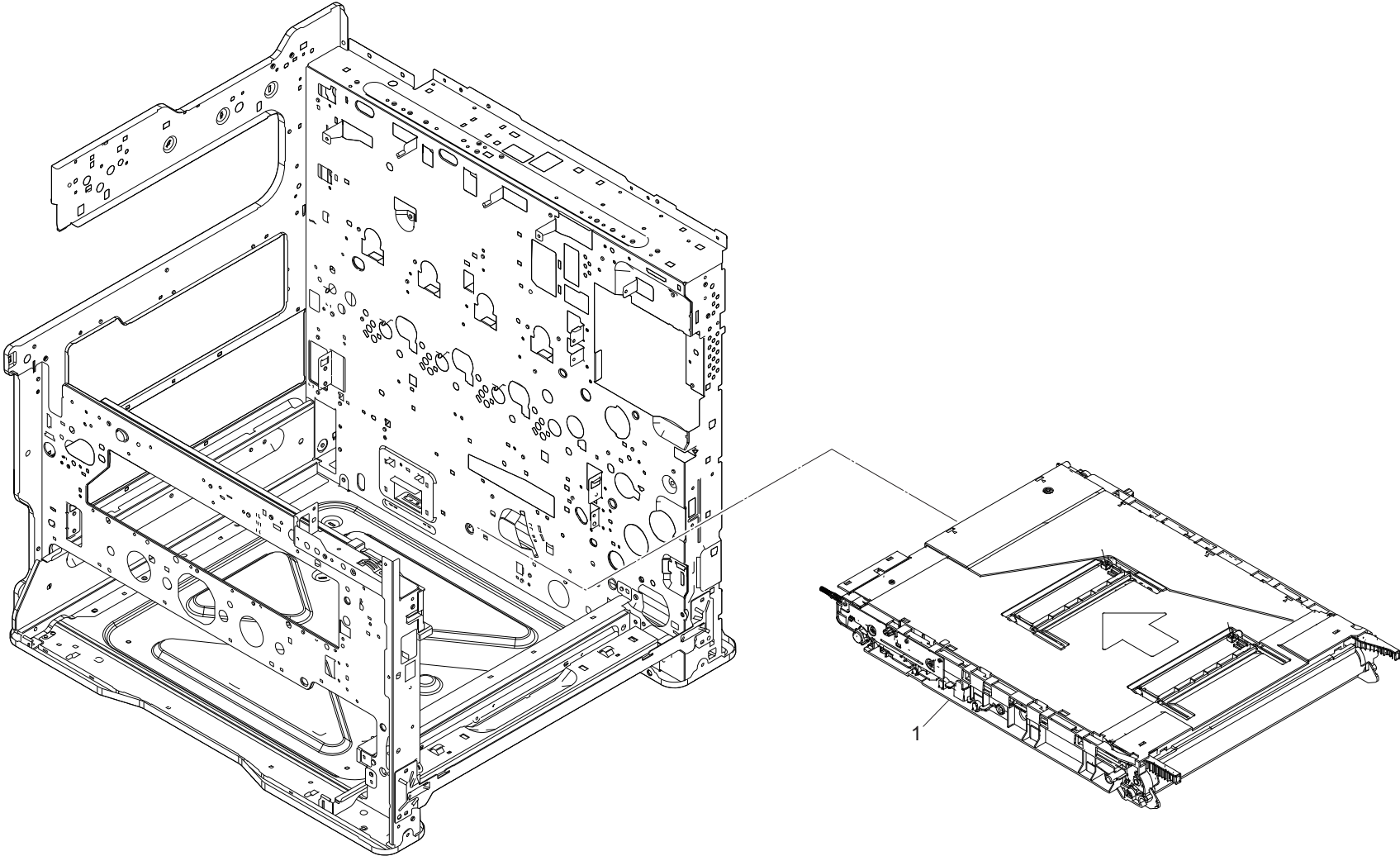
Ref. No. 番号	Part.No. 部品番号	Alternative. 代替部品番号	Description 部品名称	Notes 備考	Revision 改訂	Quantity 個数			
						100(日本)	120	230	240
1	302K094090	2K094090	PARTS MOTOR-DC ASSY C SP			1	1	1	1
2	302K994520	2K994520	PARTS GEAR Z32L SP			1	1	1	1
3	302P394070	2P394070	PARTS PWB LSU CONNECT ASSY SP	30ppm		1	1	1	1
3	302P494010	2P494010	PARTS PWB LSU CONNECT ASSY SP	24ppm		1	1	1	1
4	302P393110	2P393110	LK-8115	30ppm			4	4	4
4	302P493010	2P493010	LK-8116	24ppm		4	4	4	4
101	7BB000303H	BB107000	+BIND M SCREW 3X3						
102	7BB700308H	BB105600	+BIND T.T S SCREW 3X8 SR						

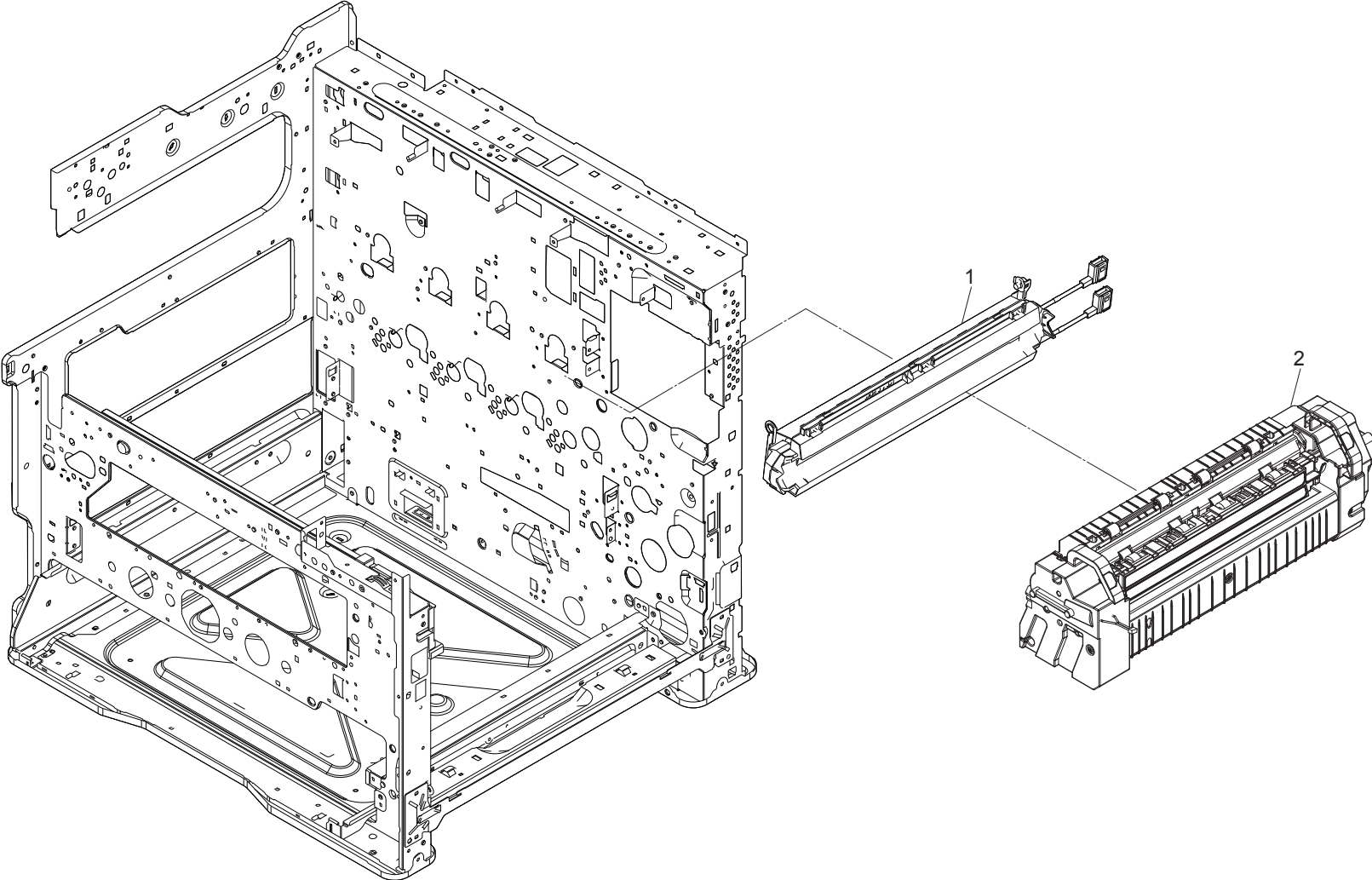
• Parts with a Ref.No. of 500 and above in the illustration indicate they are not selected for service parts.

・イラスト中で 500 番台の Ref 番号が付いている部品はサービスパーツに選定されていません。









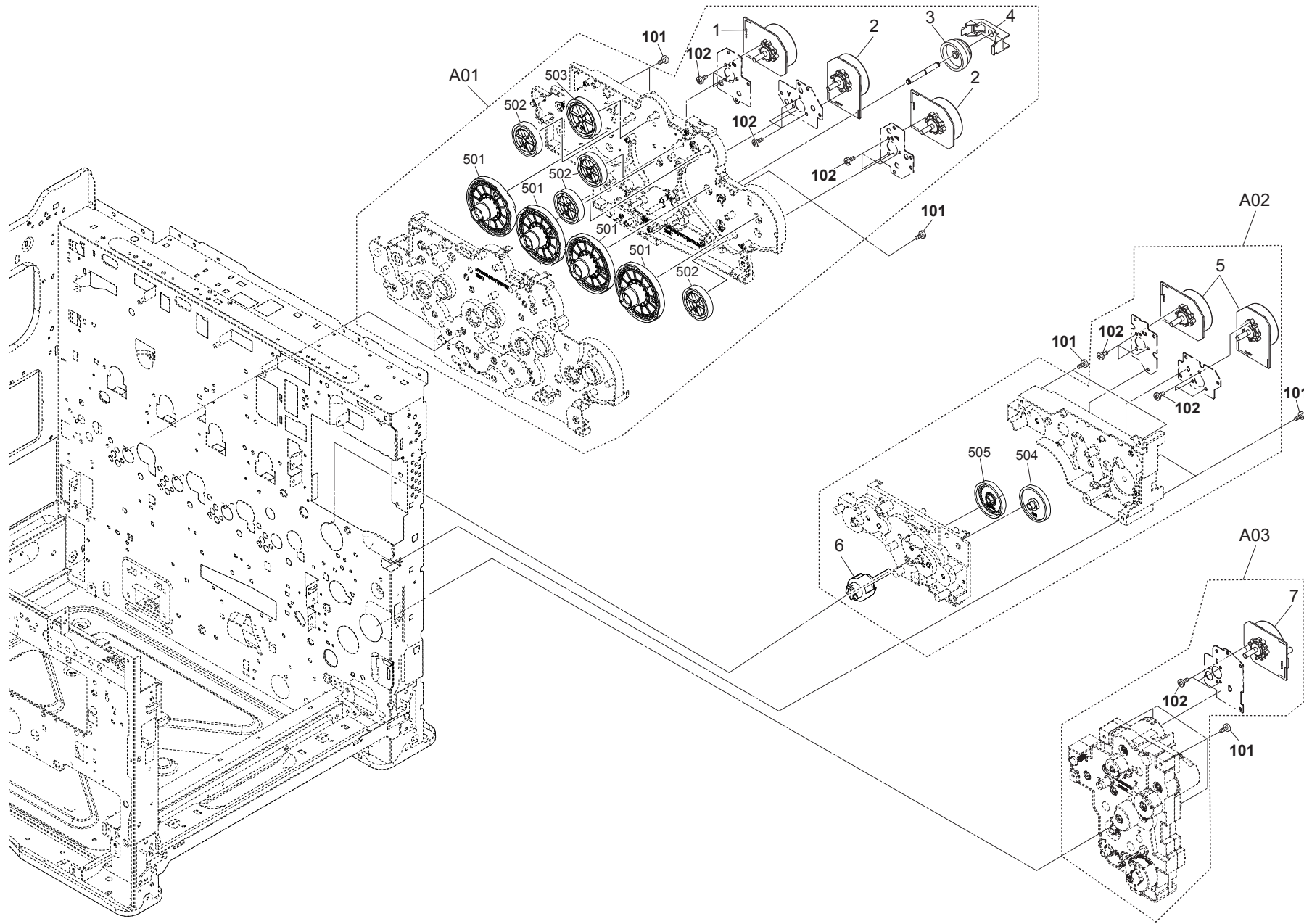


FIG. 15 Drive Section

2P3/2P4

Ref. No. 番号	Part.No. 部品番号	Alternative. 代替部品番号	Description 部品名称	Notes 備考	Revision 改訂	Quantity 個数			
						100(日本)	120	230	240
A01	302K093124	2K093124	DR-895A			1	1	1	1
1	*302K994333	2K994333	PARTS MOTOR-BL W30 SP			1	1	1	1
2	*302LC94302	2LC94302	PARTS MOTOR-BL W20 DRUM SP			2	2	2	2
3	*302K094320	2K094320	PARTS CLUTCH 50 Z45L SP			1	1	1	1
4	*302K031450	2K031450	HOLDER CLUTCH			1	1	1	1
A02	302K093134	2K093134	DR-895B			1	1	1	1
5	*302K994323	2K994323	PARTS MOTOR-BL W20 SP			2	2	2	2
6	*302K094640	2K094640	PARTS DRIVE MIDDLE TRANS SP			1	1	1	1
A03	302K093143	2K093143	DR-895C			1	1	1	1
7	*302K994323	2K994323	PARTS MOTOR-BL W20 SP			1	1	1	1
101	7BB700308H	BB105600	+BIND T.T S SCREW 3X8 SR						
102	7BB000304H	BB105720	+BIND M SCREW 3X4						

• Parts with a Ref.No. of 500 and above in the illustration indicate they are not selected for service parts.

・イラスト中で 500 番台の Ref 番号が付いている部品はサービスパーツに選定されていません。

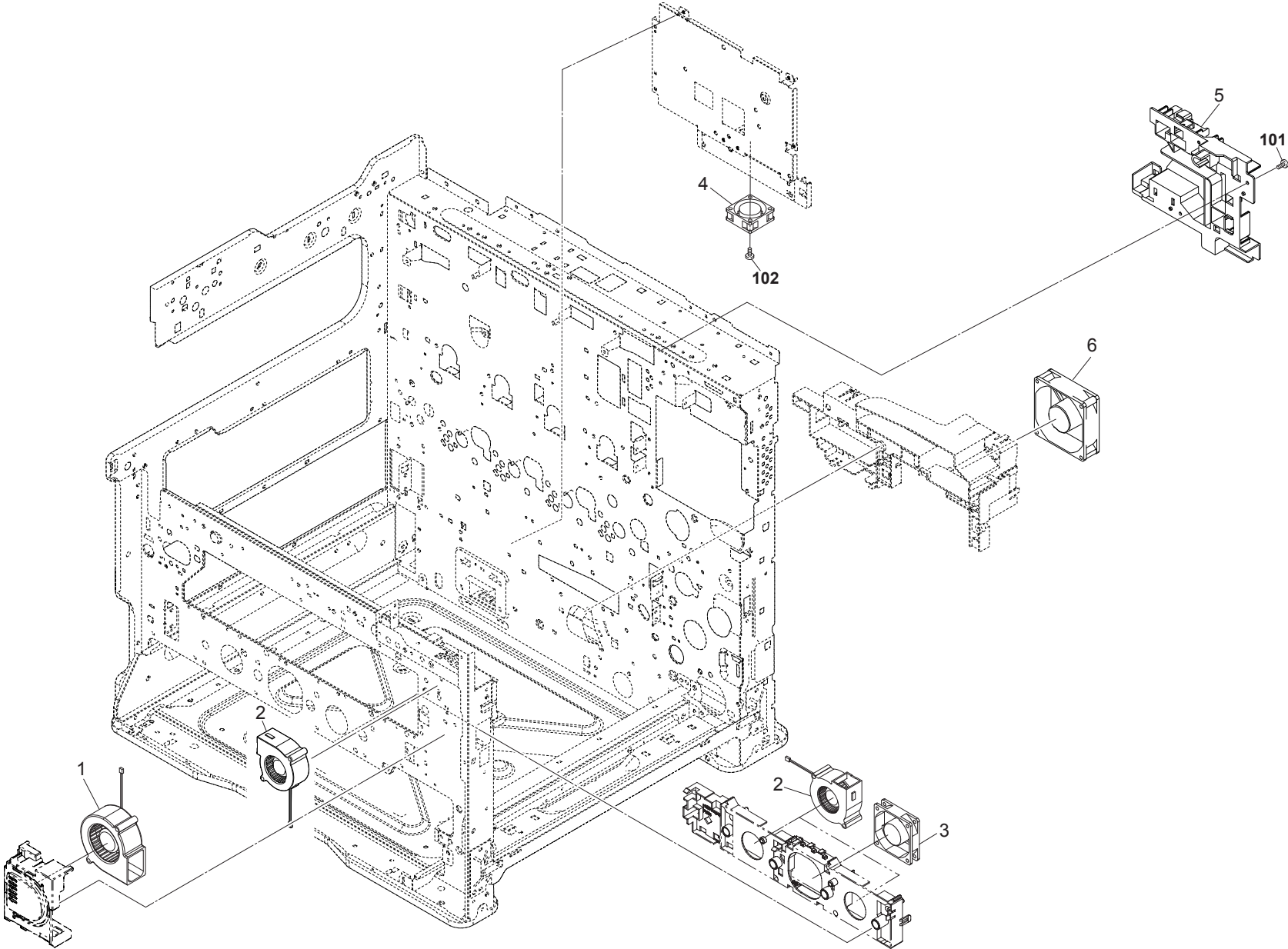


FIG. 16 Cooling Section

2P3/2P4

Ref. No. 番号	Part.No. 部品番号	Alternative. 代替部品番号	Description 部品名称	Notes 備考	Revision 改訂	Quantity 個数			
						100(日本)	120	230	240
1	302FZ94380	2FZ94380	PARTS,FAN COOLING DLP 70 SP			1	1	1	1
2	302LC94380	2LC94380	PARTS FAN COOLING LSU 60 SP			3	3	3	3
3	302FZ94420	2FZ94420	PARTS,FAN COOLING CONVEYING SP			1	1	1	1
4	302HG44120	2HG44120	FAN MOTOR PS40			1	1	1	1
5	302K033012	2K033012	DUCT EXIT			1	1	1	1
6	302NG94220	2NG94220	PARTS FAN MOTOR SP			1	1	1	1
101	7BB700308H	BB105600	+BIND T.T S SCREW 3X8 SR						
102	7BB700320H	BB105620	+BIND T.T S SCREW 3X20 SR						

• Parts with a Ref.No. of 500 and above in the illustration indicate they are not selected for service parts.

・イラスト中で 500 番台の Ref 番号が付いている部品はサービスパーツに選定されていません。

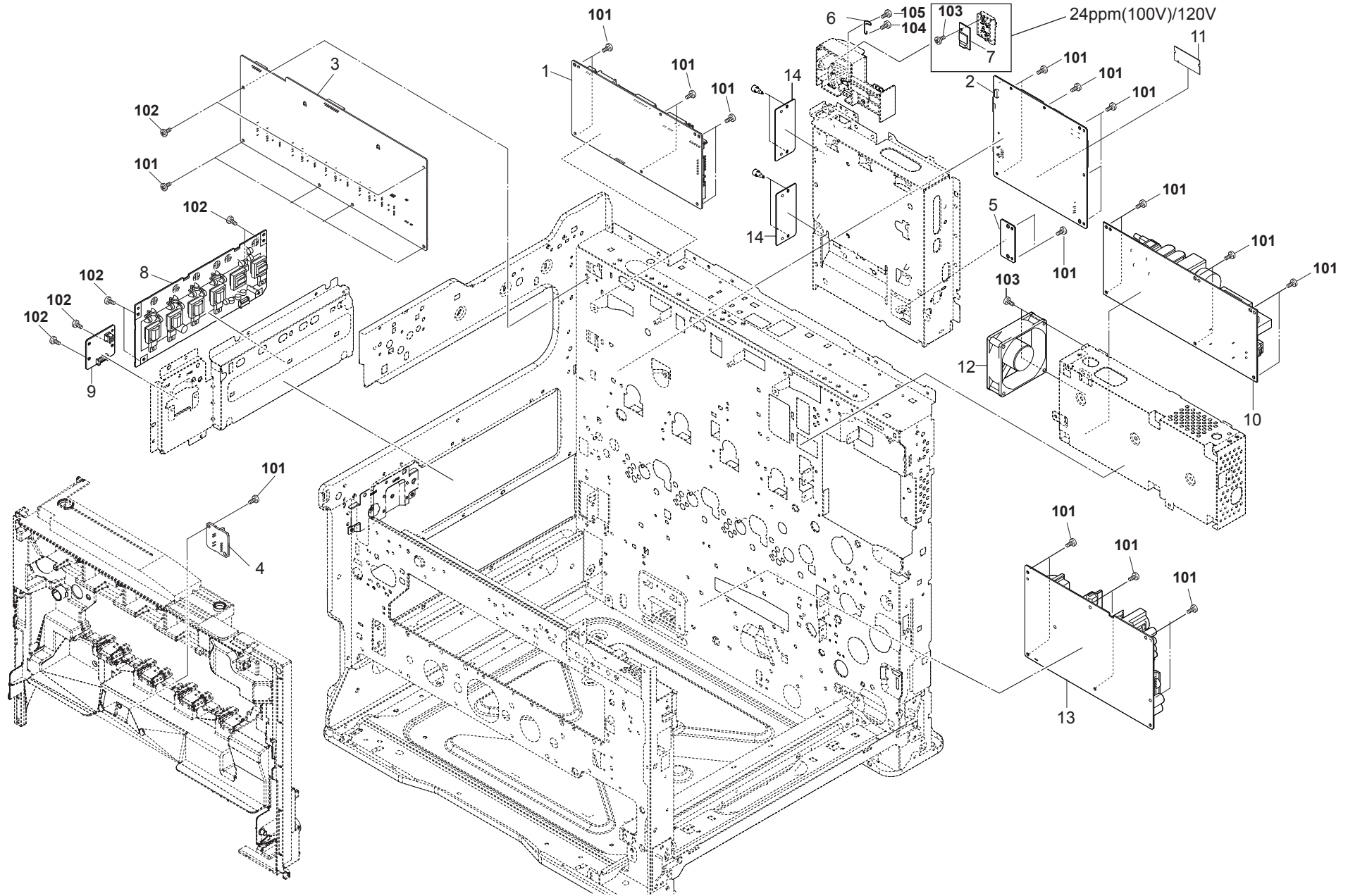


FIG. 17 Electrical Components

2P3/2P4

Ref. No. 番号	Part.No. 部品番号	Alternative. 代替部品番号	Description 部品名称	Notes 備考	Revision 改訂	Quantity 個数			
						100(日本)	120	230	240
1	302P494040	2P494040	PARTS PWB ENGINE ASSY SP	24ppm		1	1	1	1
1	302P394150	2P394150	PARTS PWB ENGINE ASSY SP	30ppm			1	1	1
2	302P494020	2P494020	PARTS PWB MAIN ASSY SP	24ppm		1	1		1
2	302P494030	2P494030	PARTS PWB MAIN ASSY SP EU	24ppm				1	
2	302P394120	2P394120	PARTS PWB MAIN ASSY SP	30ppm			1		1
2	302P394130	2P394130	PARTS PWB MAIN ASSY SP EU	30ppm				1	
3	302P394100	2P394100	PARTS UNIT HIGH VOLTAGE 1 SP			1	1	1	1
4	302KV94360	2KV94360	PARTS PWB ASSY THERMISTOR SP			1	1	1	1
5	302P394180	2P394180	PARTS PWB KUIO ASSY SP			1	1	1	1
6	302P339140	2P339140	WIRE EARTH WIFI			1	1	1	1
7	302P194130	2P194130	PARTS WIFI UNIT SP	24ppm(100V)/120V		1	1		
8	302P394110	2P394110	PARTS UNIT HIGH VOLTAGE 2 SP			1	1	1	1
9	302K094190	2K094190	PARTS PWB TRANSFER CONNECT ASSY SP			1	1	1	1
10	302ND94310	2ND94310	PARTS PWB IH 200 ASSY SP					1	1
10	302ND94300	2ND94300	PARTS PWB IH 100 ASSY SP			1	1		
11	302P394140	2P394140	PARTS MEMORY MODULE SP			1	1	1	1
12	302K094300	2K094300	PARTS FAN MOTOR SP			1	1	1	1
13	302P394090	2P394090	PARTS UNIT LOW VOLTAGE 200V SP					1	1
13	302P394080	2P394080	PARTS UNIT LOW VOLTAGE 100V SP			1	1		
14	302K339050	2K339050	PLATE OPTION			2	2	2	2
101	7BB700308H	B700308H	+BIND T.T S SCREW 3X8 SR						
102	7BB702308H	B702308H	+TP-FLAT T.T S SCREW 3X8 SR						
103	7BB700330H	B700330H	+BIND T.T S SCREW 3X30 SR						
104	7BB782308H	B782308H	+TP-FLAT T.T S SCREW 3X8 SR(BLACK)						
105	7BB200308H	B200308H	+BIND T.T P SCREW 3X8						

• Parts with a Ref.No. of 500 and above in the illustration indicate they are not selected for service parts.

• イラスト中で 500 番台の Ref 番号が付いている部品はサービスパーツに選定されていません。

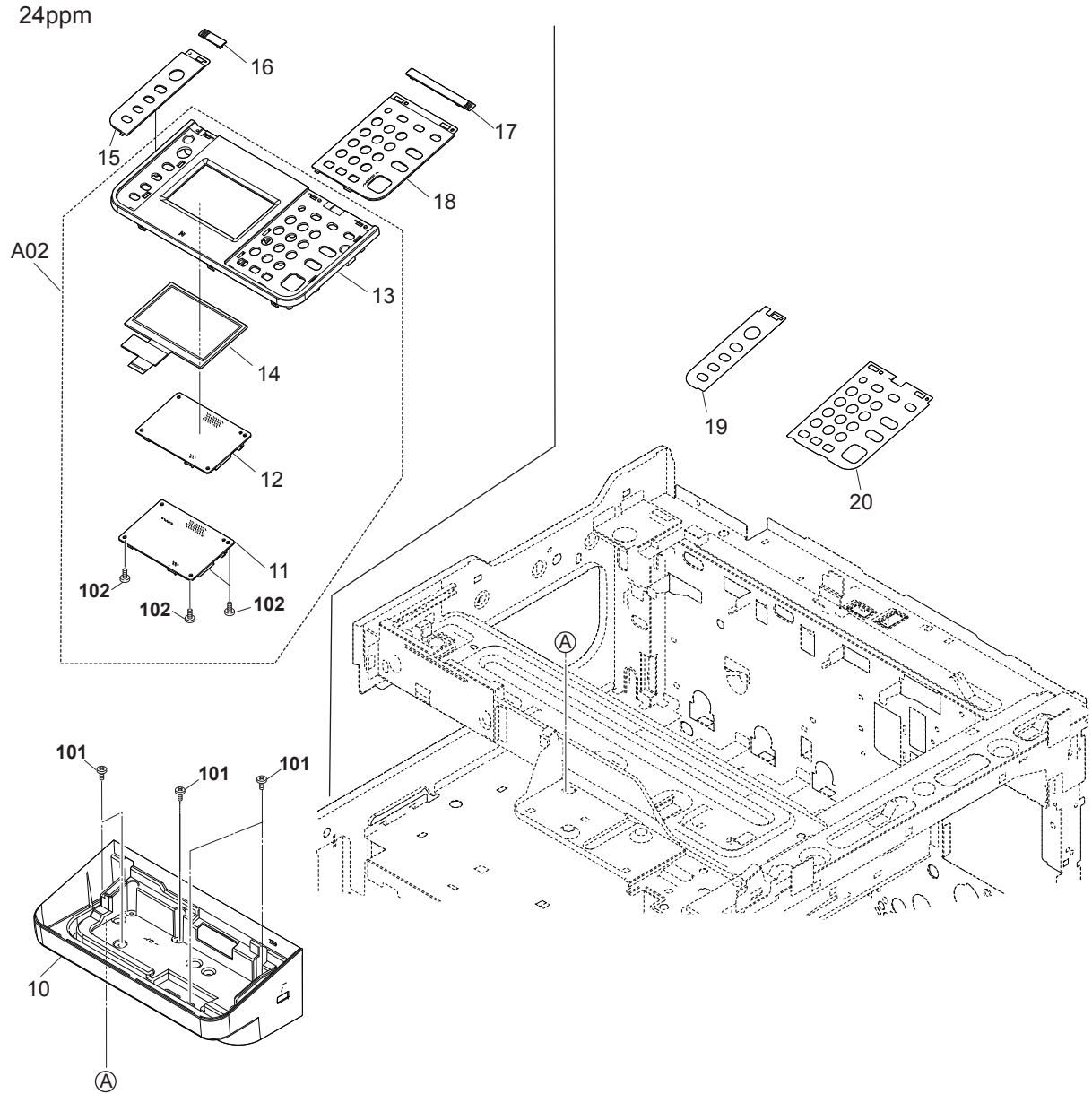
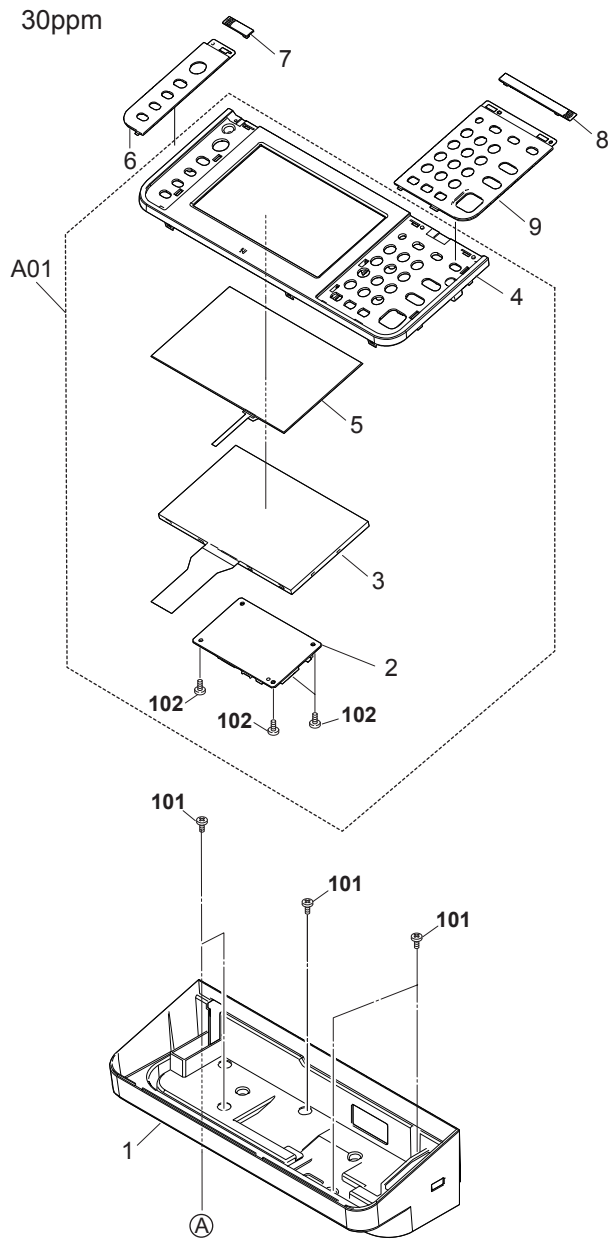


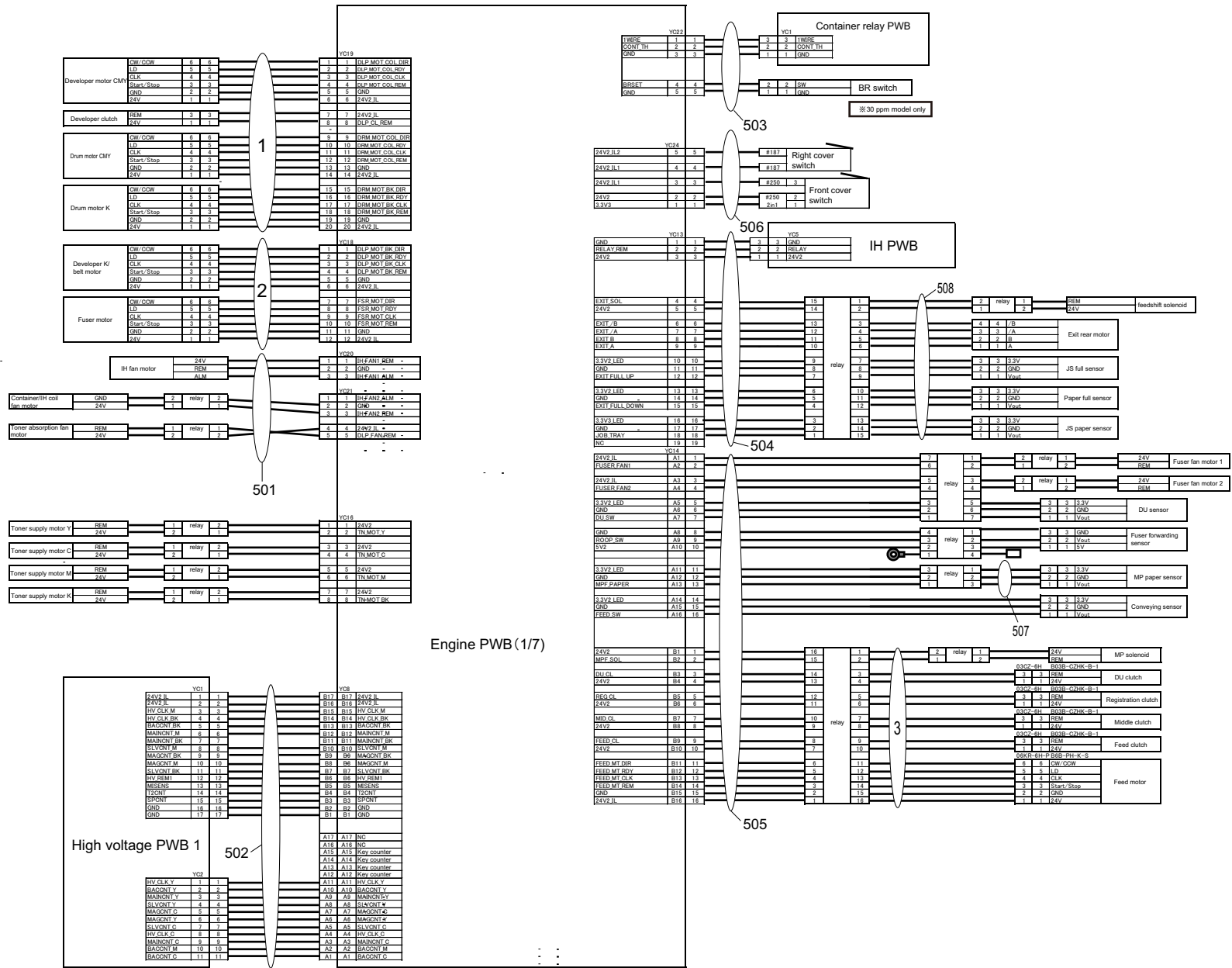
FIG. 18 Operation Section

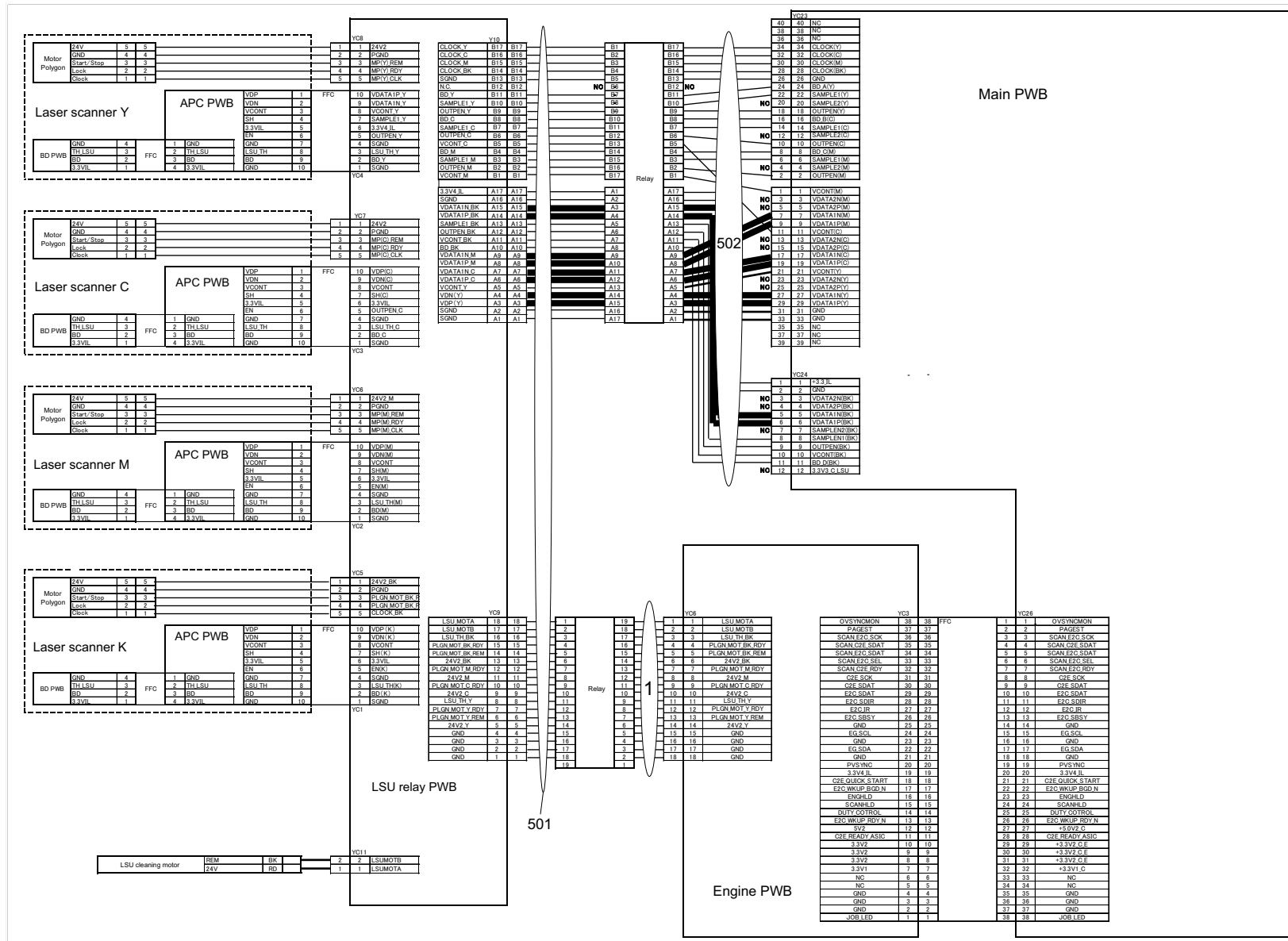
2P3/2P4

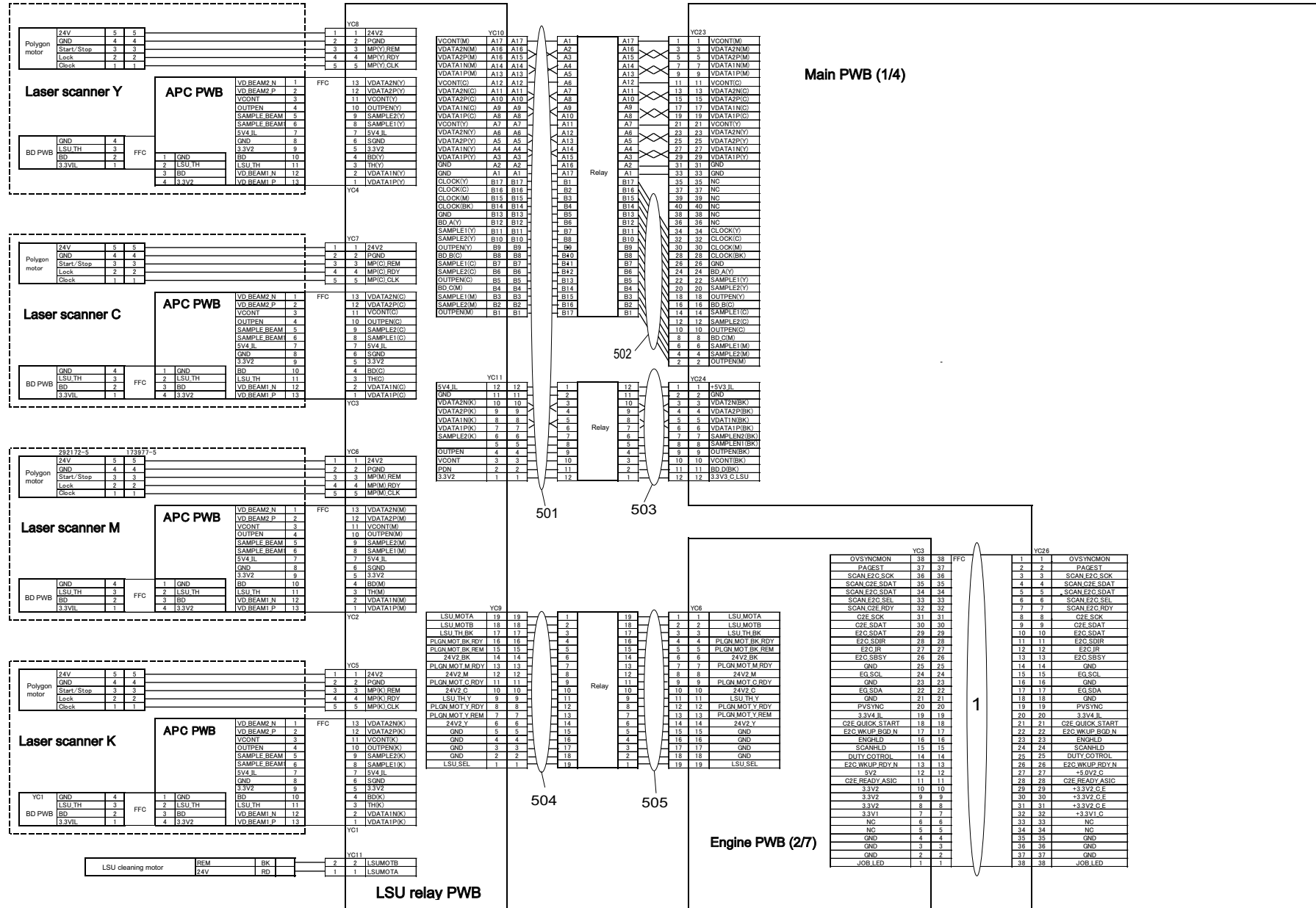
Ref. No. 番号	Part.No. 部品番号	Alternative. 代替部品番号	Description 部品名称	Notes 備考	Revision 改訂	Quantity 個数			
						100(日本)	120	230	240
1	302P105020	2P105020	COVER OPERATION LOW	30ppm			1	1	1
A01	302P194070	2P194070	PARTS OPERATION UNIT SP	30ppm			1	1	1
2	*302P194160	2P194160	PARTS PWB PANEL MAIN ASSY SP	30ppm			1	1	1
3	*302NM94121	2NM94121	PARTS TABLET OPERATION SP	30ppm			1	1	1
4	*302P105010	2P105010	COVER OPERATION	30ppm			1	1	1
5	*302P194230	2P194230	PARTS LCD OPERATION SP	30ppm			1	1	1
6	302P105040	2P105040	COVER PANEL LEFT			1	1	1	1
7	302P105050	2P105050	LID OPERATION LEFT			1	1	1	1
8	302P105120	2P105120	LID OPERATION RIGHT			1	1	1	1
9	302P105030	2P105030	COVER PANEL RIGHT			1	1	1	1
10	302P205020	2P205020	COVER OPERATION LOW	24ppm		1	1	1	1
A02	302P294020	2P294020	PARTS OPERATION UNIT J SP	24ppm		1			
A02	302P294010	2P294010	PARTS OPERATION UNIT SP	24ppm			1	1	1
11	*302P294050	2P294050	PARTS PWB PANEL MAIN ASSY SP	24ppm		1	1	1	1
12	*302R494310	2R494310	PARTS TABLET OPERATION SP	24ppm		1	1	1	1
13	*302P205080	2P205080	COVER OPERATION J	24ppm		1			
13	*302P205010	2P205010	COVER OPERATION	24ppm			1	1	1
14	*302P294060	2P294060	PARTS LCD OPERATION SP	24ppm		1	1	1	1
15	302P105040	2P105040	COVER PANEL LEFT			1	1	1	1
16	302P105050	2P105050	LID OPERATION LEFT			1	1	1	1
17	302P105120	2P105120	LID OPERATION RIGHT			1	1	1	1
18	302P105030	2P105030	COVER PANEL RIGHT			1	1	1	1
19	302P105530	2P105530	SHEET OPERATION LEFT EN				1	1	1
19	302P105510	2P105510	SHEET OPERATION LEFT JP	24ppm		1			
20	302P105520	2P105520	SHEET OPERATION RIGHT EN				1	1	1
20	302P105500	2P105500	SHEET OPERATION RIGHT JP	24ppm		1			
101	7BB702308H	B702308H	+TP-FLAT T.T S SCREW 3X8 SR						
102	7BB700308H	B700308H	+BIND T.T S SCREW 3X8 SR						

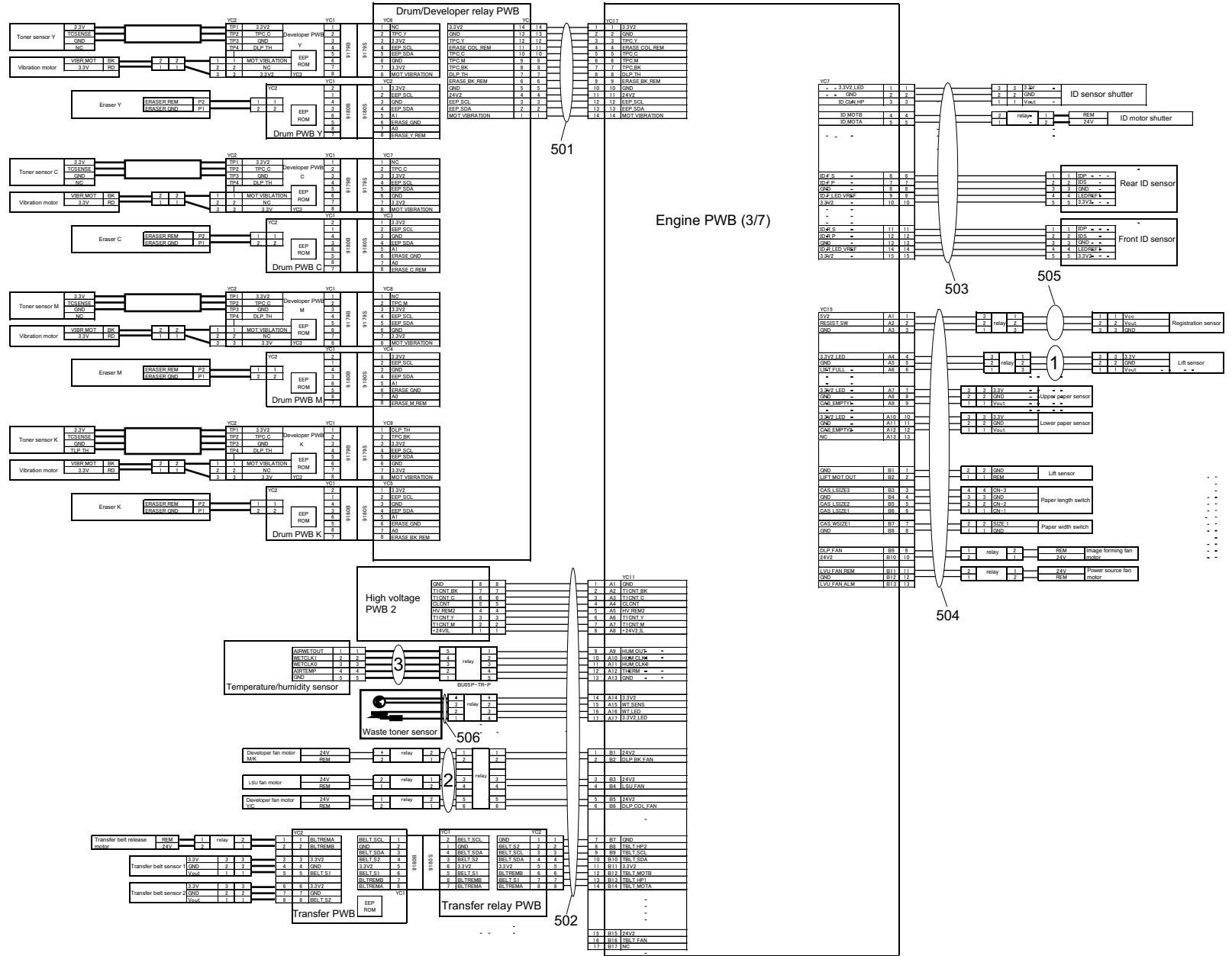
• Parts with a Ref.No. of 500 and above in the illustration indicate they are not selected for service parts.

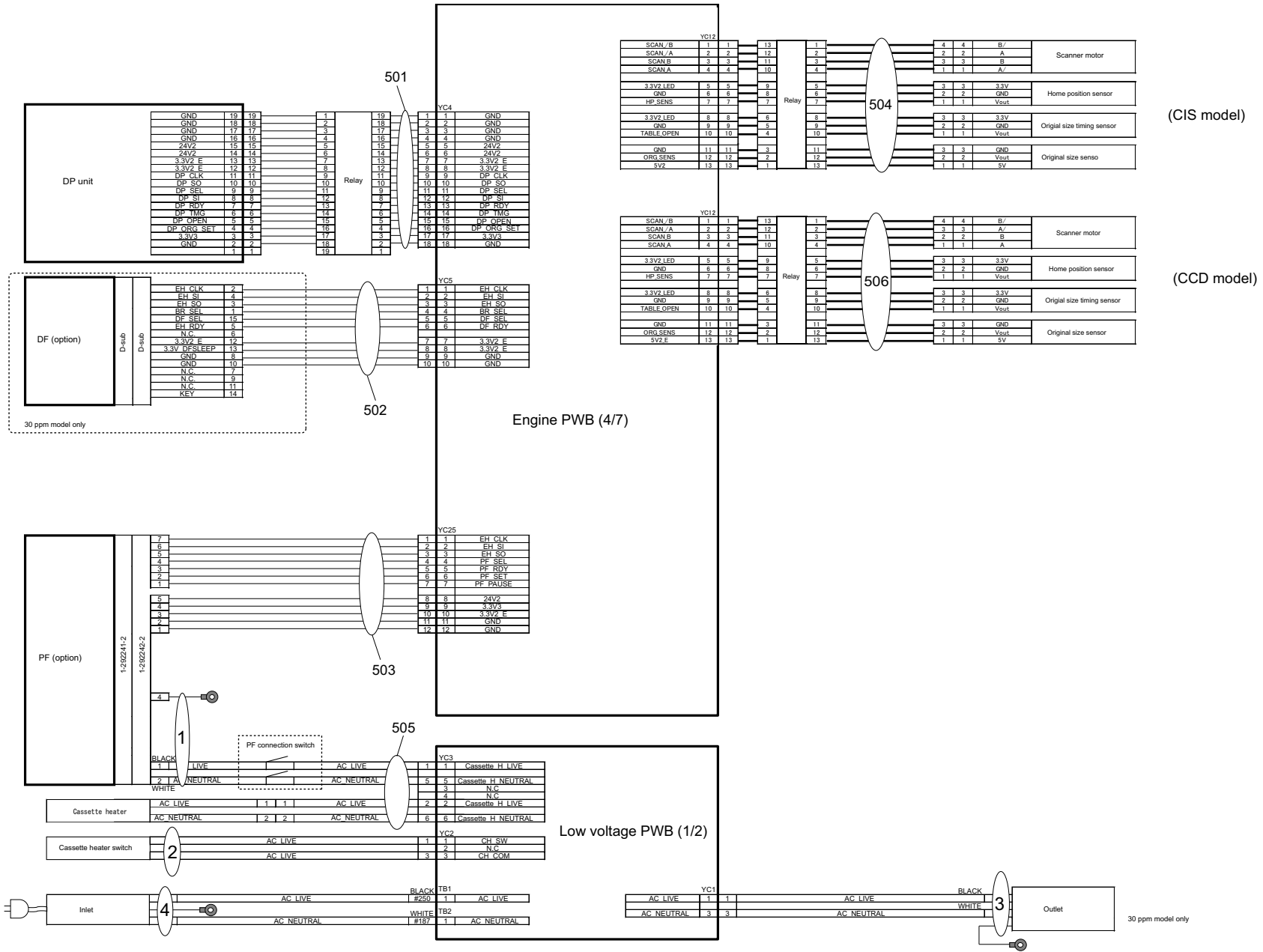
• イラスト中で 500 番台の Ref 番号が付いている部品はサービスパーツに選定されていません。

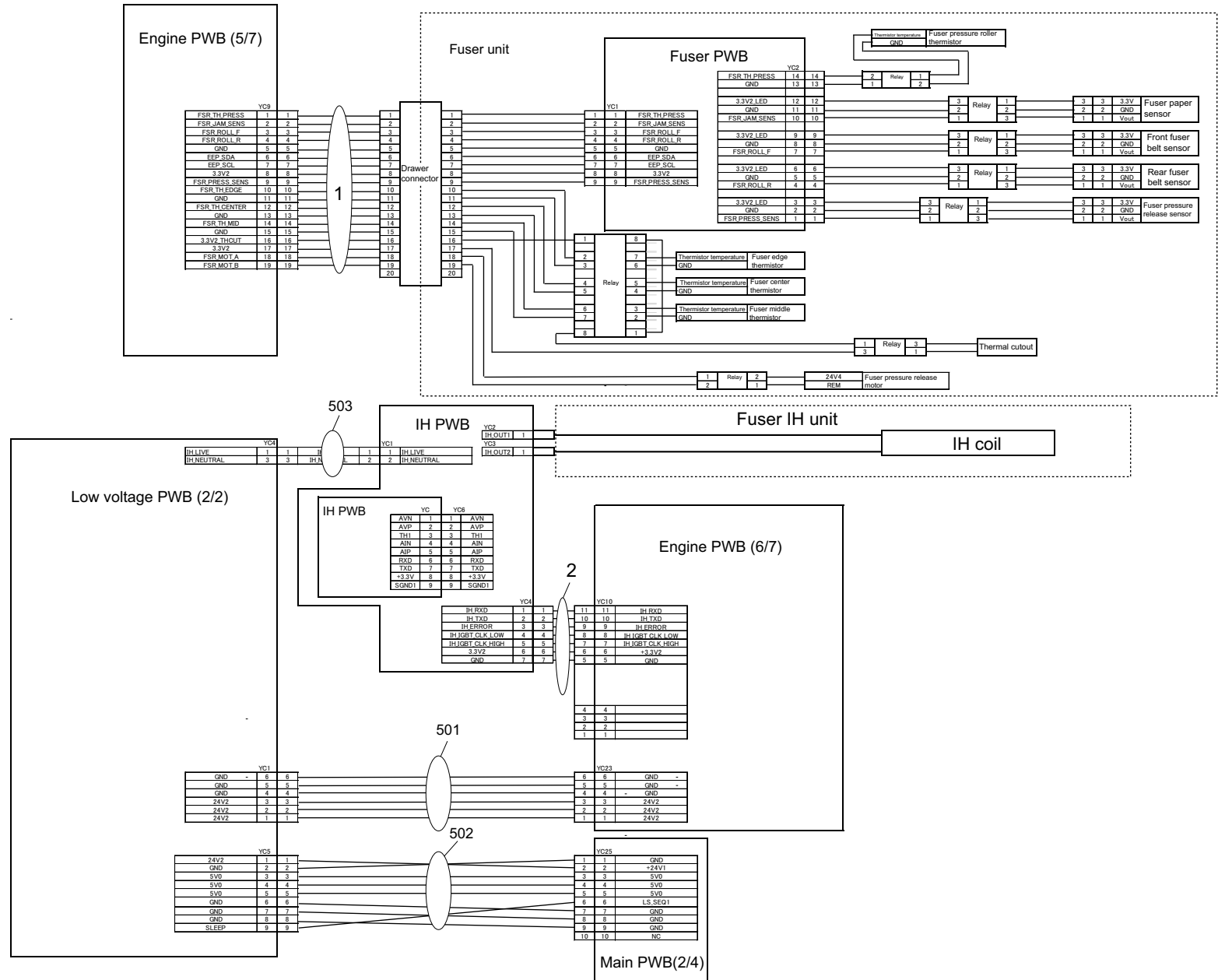


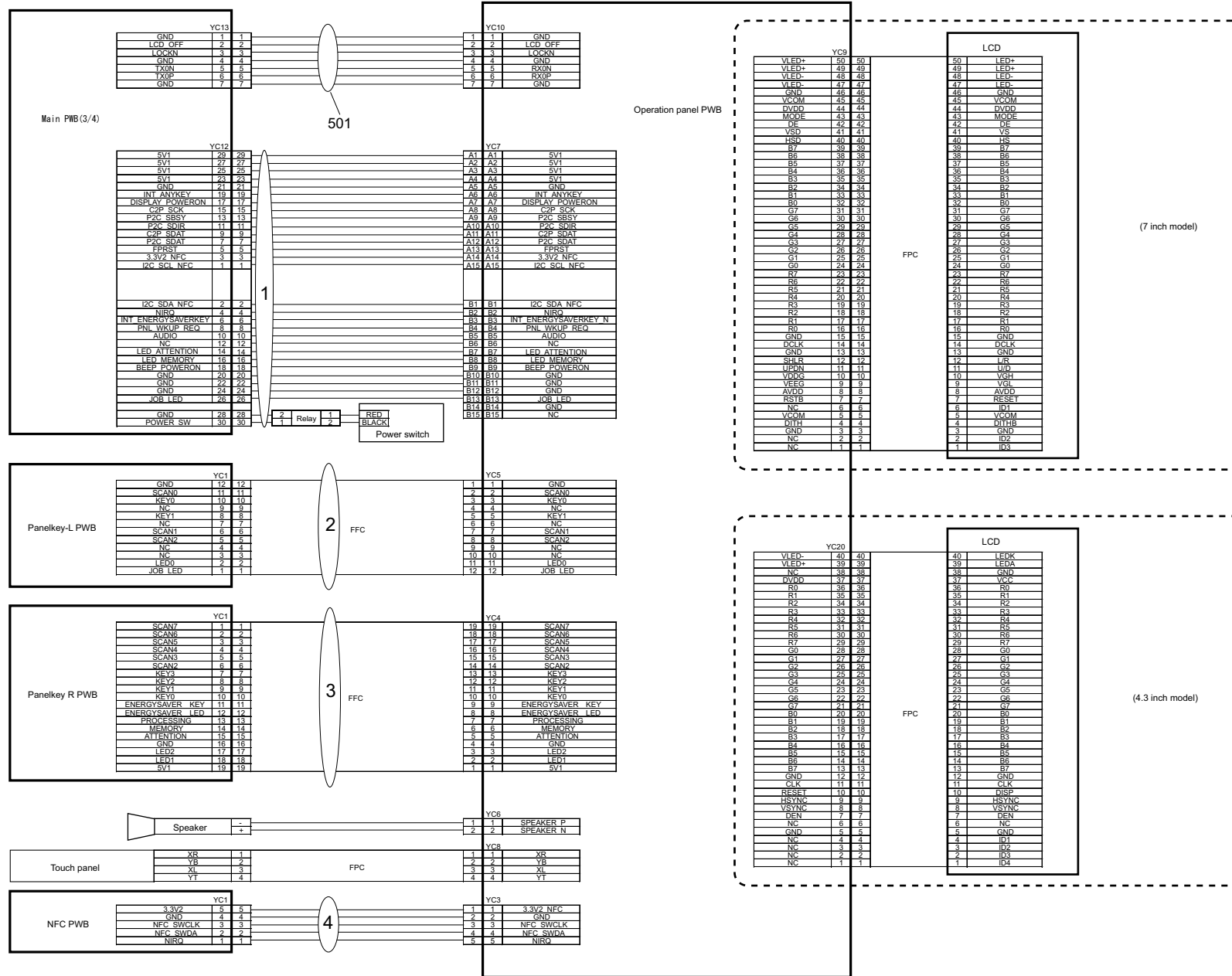


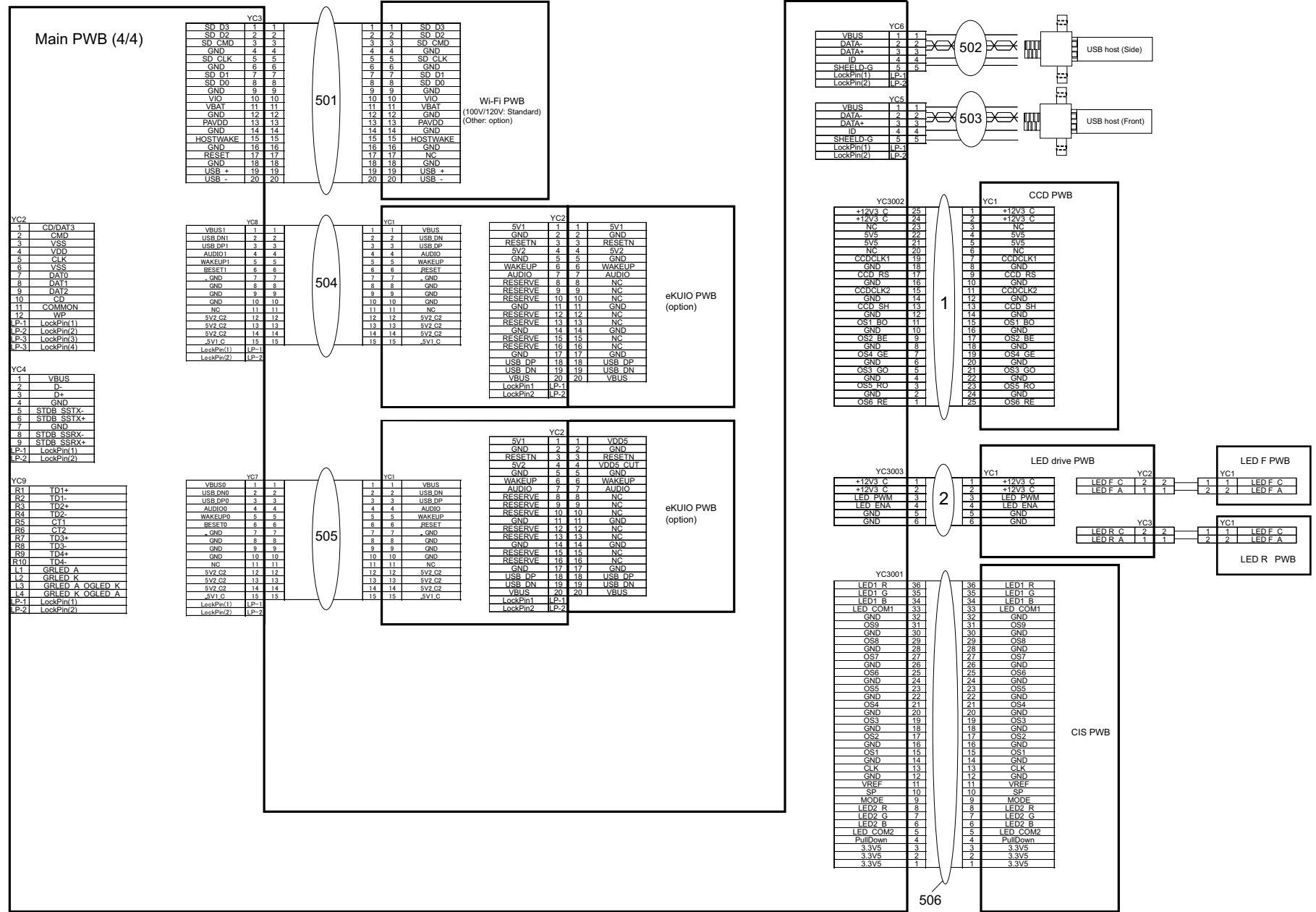


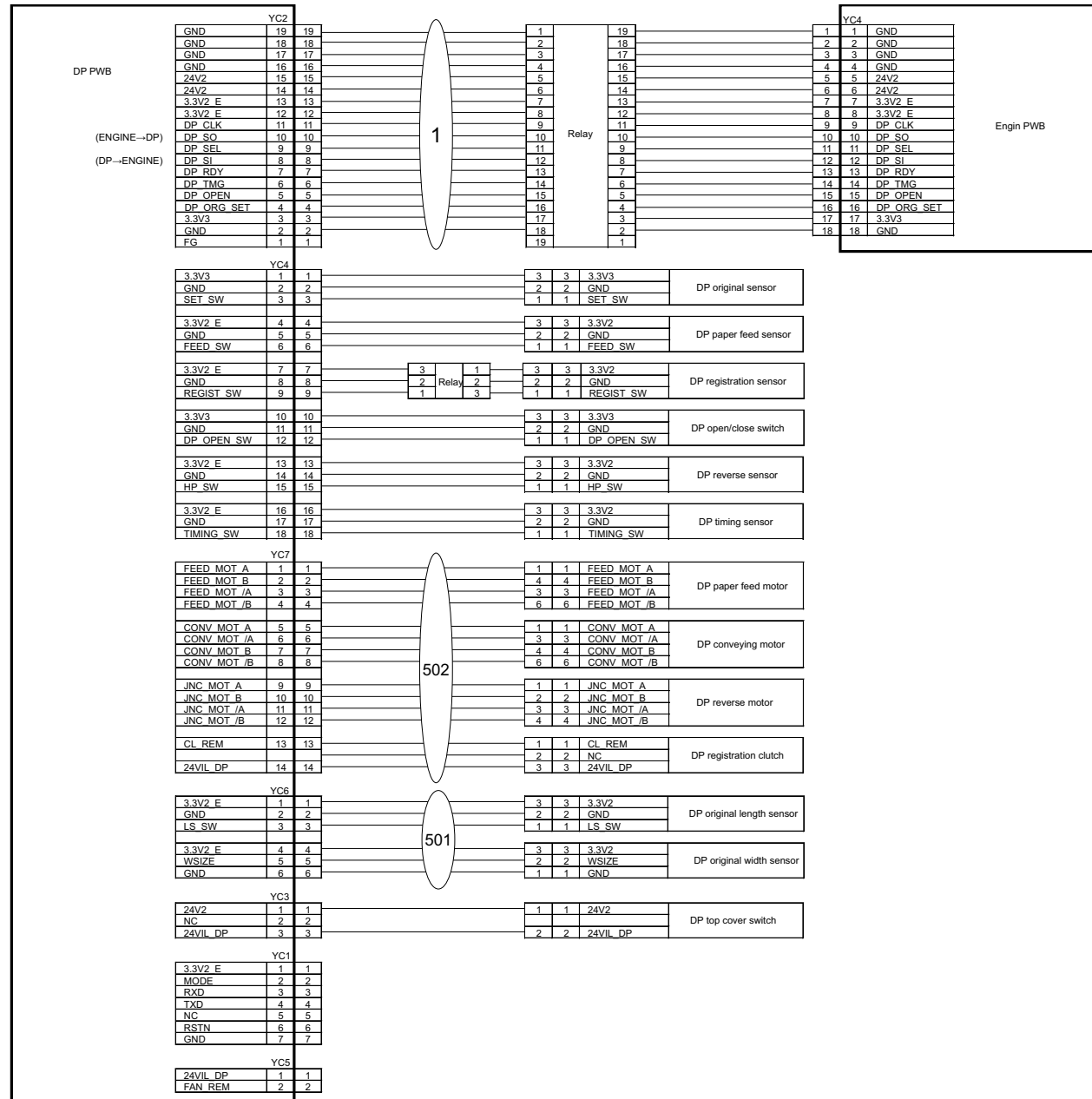


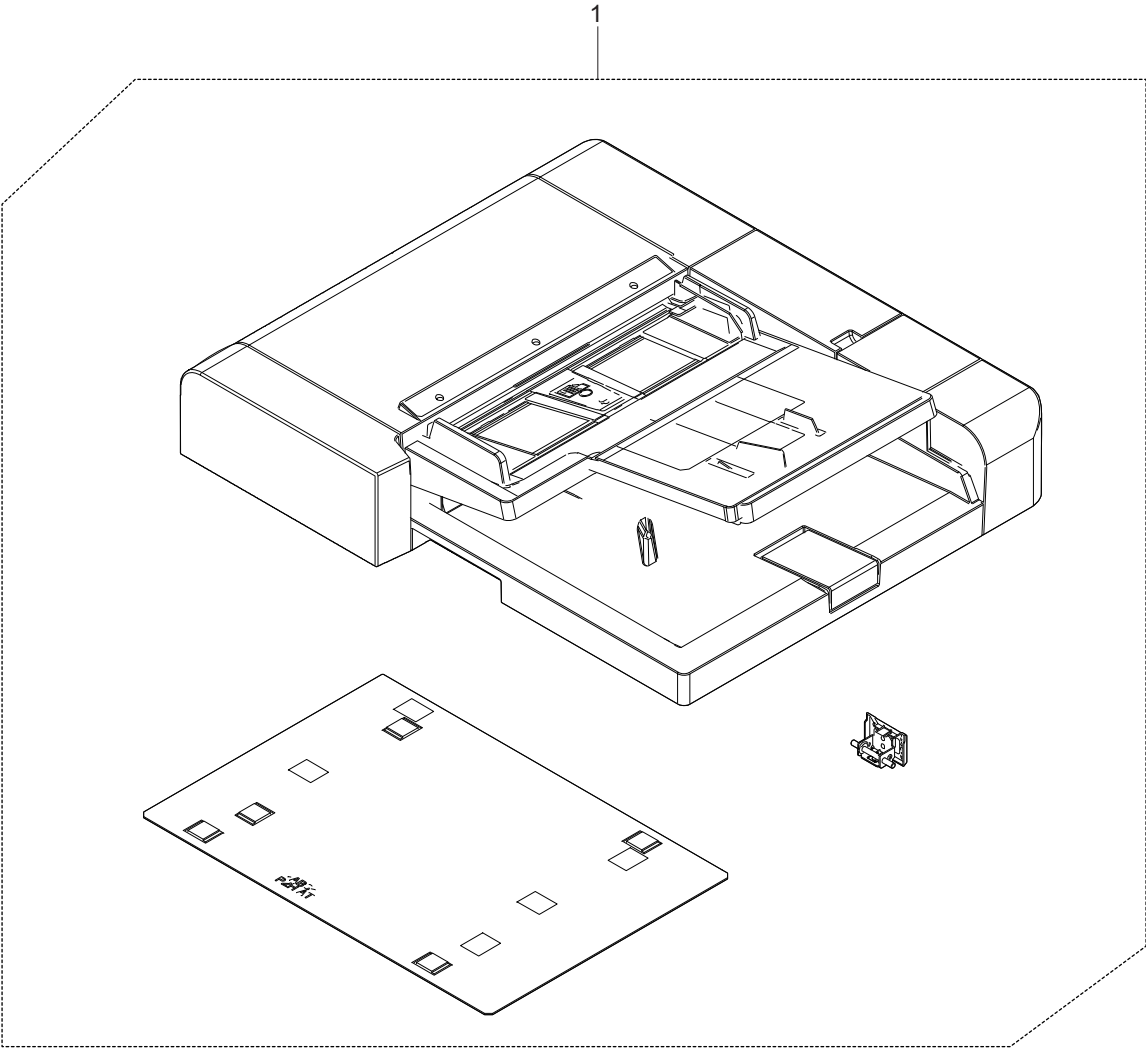












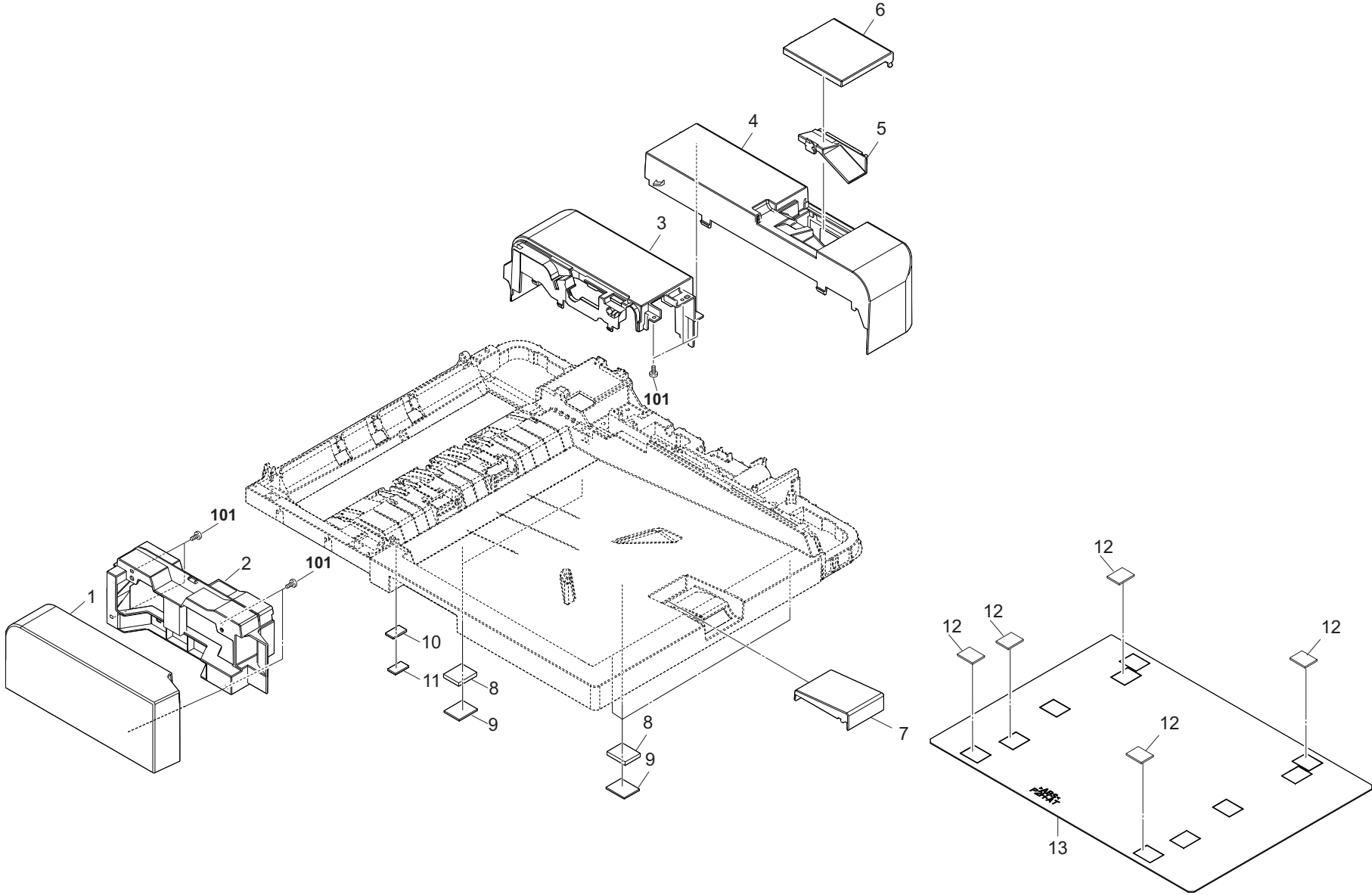


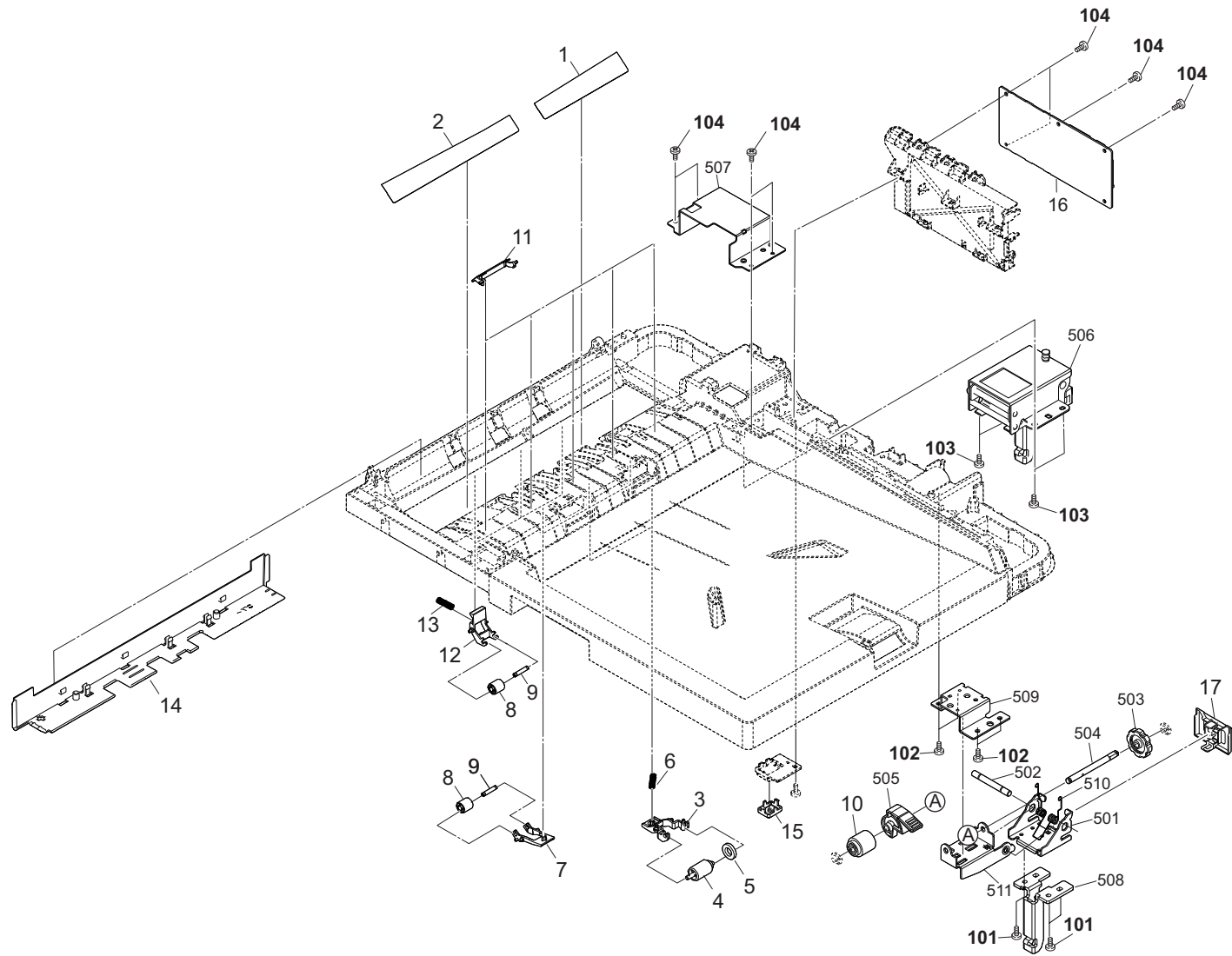
FIG. 29 DP Covers

2P3/2P4

Ref. No. 番号	Part.No. 部品番号	Alternative. 代替部品番号	Description 部品名称	Notes 備考	Revision 改訂	Quantity 個数			
						100(日本)	120	230	240
1	302P118130	2P118130	COVER FRONT			1	1	1	1
2	302P118250	2P118250	COVER INNER			1	1	1	1
3	302P118140	2P118140	COVER REAR A			1	1	1	1
4	302P118240	2P118240	COVER REAR B			1	1	1	1
5	303RJ04140	3RJ04140	LID INNER COVER			1	1	1	1
6	302P118340	2P118340	COVER LID			1	1	1	1
7	302P118220	2P118220	STOPPER EJECT			1	1	1	1
8	303PH02030	3PH02030	SPONGE ORIGINAL MAT FILM			5	5	5	5
9	303MX02031	3MX02031	CUSHION ORIGINAL MAT B			5	5	5	5
10	303M802320	3M802320	SPONGE ORIGINAL MAT A			1	1	1	1
11	303J902370	3J902370	CUSHION ORIGINAL MAT			1	1	1	1
12	303MX02021	3MX02021	CUSHION ORIGINAL MAT A			5	5	5	5
13	303JC04201	3JC04201	PLATE ORIGINAL			1	1	1	1
101	7BB200308H	BB105660	+BIND T.T.P SCREW 3X8						

• Parts with a Ref.No. of 500 and above in the illustration indicate they are not selected for service parts.

・イラスト中で 500 番台の Ref 番号が付いている部品はサービスパーツに選定されていません。



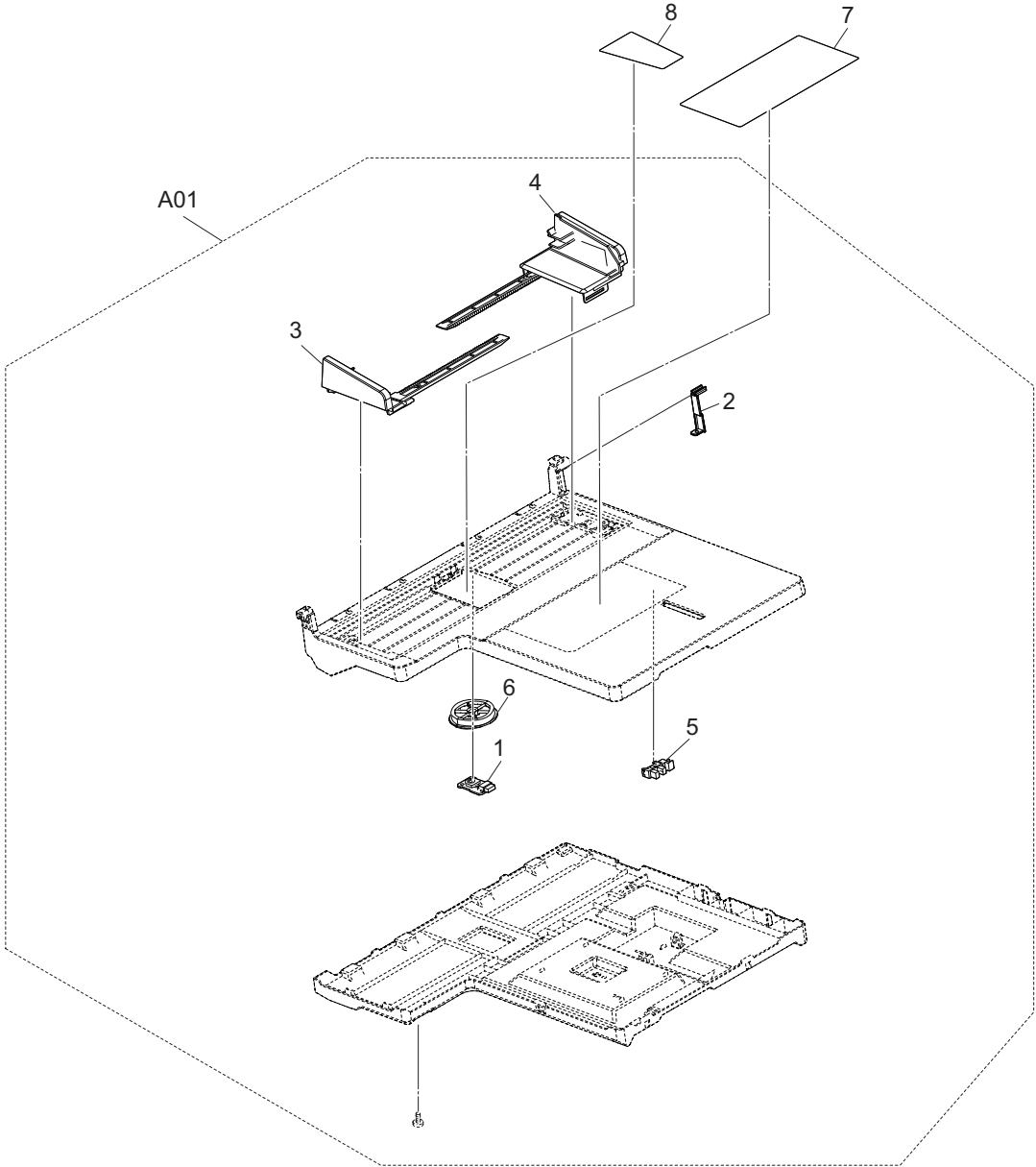


FIG. 31 DP Table Assy

2P3/2P4

Ref. No. 番号	Part.No. 部品番号	Alternative. 代替部品番号	Description 部品名称	Notes 備考	Revision 改訂	Quantity 個数			
						100(日本)	120	230	240
A01	302P194020	2P194020	PARTS TABLE ASSY SP			1	1	1	1
1	*303R394050	3R394050	PARTS PWB PAPER SIZE SENSOR ASSY SP			1	1	1	1
2	*303P706060	3P706060	COVER TABLE WIRE			1	1	1	1
3	*302P118200	2P118200	CURSOR FRONT			1	1	1	1
4	*302P118210	2P118210	CURSOR REAR			1	1	1	1
5	*303M894260	3M894260	PARTS SENSOR OPT SP			1	1	1	1
6	*303R706060	3R706060	GEAR DETECTION			1	1	1	1
7	303R734040	3R734040	LABEL CAUTION JP			1			
7	303R734060	3R734060	LABEL CAUTION IN				1		
7	303R734070	3R734070	LABEL CAUTION ME					1	1
8	303R834040	3R834040	LABEL FACE UP JP			1			
8	303R834050	3R834050	LABEL FACE UP EN				1	1	1

• Parts with a Ref.No. of 500 and above in the illustration indicate they are not selected for service parts.

・イラスト中で 500 番台の Ref 番号が付いている部品はサービスパーツに選定されていません。

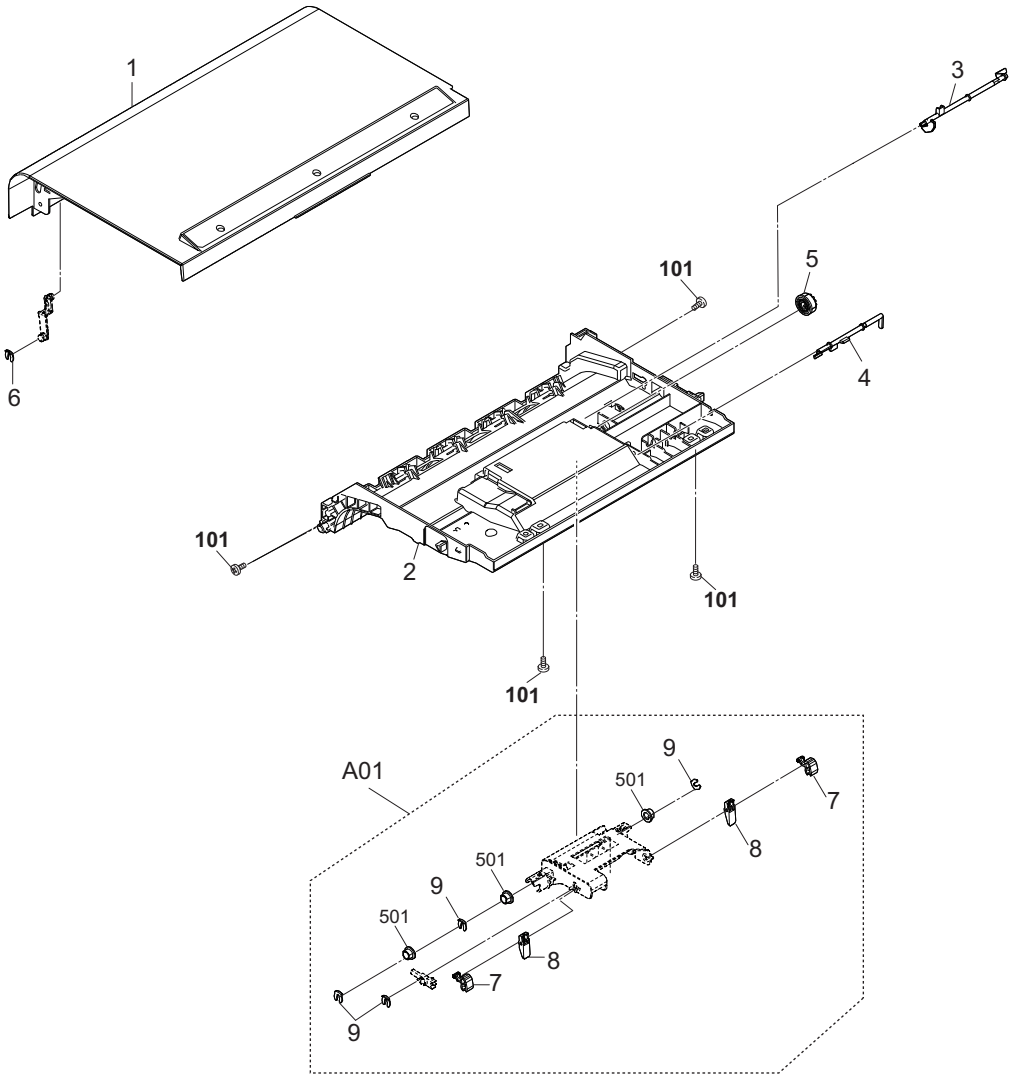


FIG. 32 DP Paper Feed Section

2P3/2P4

Ref. No. 番号	Part.No. 部品番号	Alternative. 代替部品番号	Description 部品名称	Notes 備考	Revision 改訂	Quantity 個数			
						100(日本)	120	230	240
1	302P118150	2P118150	COVER PF			1	1	1	1
2	302P118230	2P118230	GUIDE CONVEYING UPPER			1	1	1	1
3	303P724090	3P724090	ACTUATOR FEED			1	1	1	1
4	303P724160	3P724160	ACTUATOR ORIGINAL SET			1	1	1	1
5	303P731120	3P731120	GEAR Z21 CONT			1	1	1	1
6	5MVX111DN003	2A806250	RING STOPPER /A-49 FEED A4			1	1	1	1
A01	302P194100	2P194100	FEED ROLLER (DP)	service only		1	1	1	1
7	*303P707060	3P707060	STOPPER PAPER			2	2	2	2
8	*303P707120	3P707120	STOPPER PAPER B			2	2	2	2
9	*5MVX111DN003	2A806250	RING STOPPER /A-49 FEED A4			4	4	4	4
101	7BB200308H	BB105660	+BIND T.T P SCREW 3X8						

• Parts with a Ref.No. of 500 and above in the illustration indicate they are not selected for service parts.

・イラスト中で 500 番台の Ref 番号が付いている部品はサービスパーツに選定されていません。

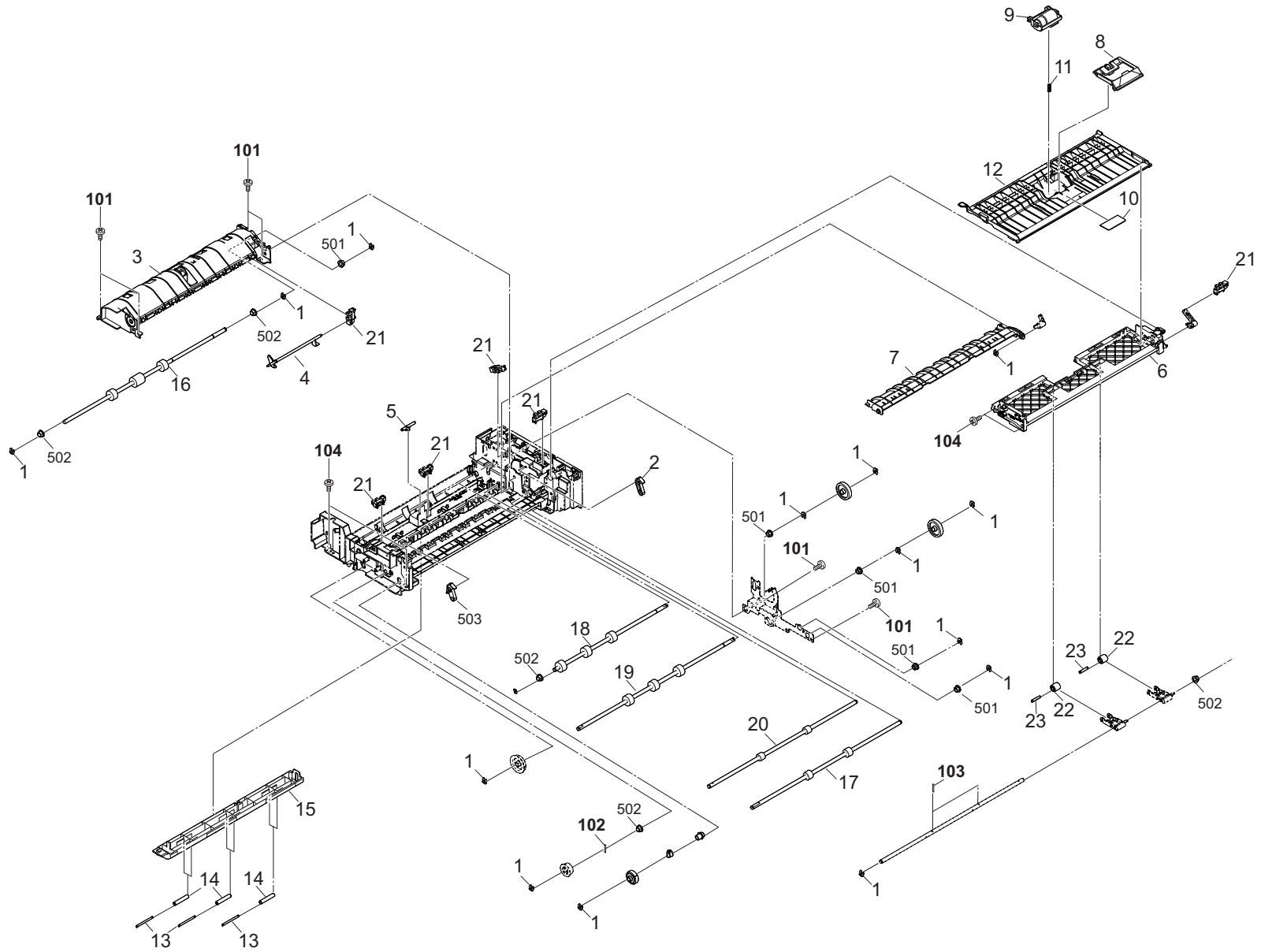


FIG. 33 DP Paper Conveying Section

2P3/2P4

Ref. No. 番号	Part.No. 部品番号	Alternative. 代替部品番号	Description 部品名称	Notes 備考	Revision 改訂	Quantity 個数			
						100(日本)	120	230	240
1	5MVX111DN003	2A806250	RING STOPPER /A-49 FEED A4			14	14	14	14
2	302P118550	2P118550	HOOK REAR B			1	1	1	1
3	303P724030	3P724030	GUIDE CONVEYING			1	1	1	1
4	303P724080	3P724080	ACTUATOR REGISTRATION			1	1	1	1
5	303P724140	3P724140	ACTUATOR TIMING			1	1	1	1
6	303P729010	3P729010	GUIDE DUPLEX			1	1	1	1
7	303P729020	3P729020	GUIDE SHIFT			1	1	1	1
8	302P194110	2P194110	RETARD GUIDE (DP)	service only		1	1	1	1
9	302P194120	2P194120	RETARD ROLLER (DP)	service only		1	1	1	1
10	3HK07240	3HK07240	FRICTION PLATE LF			1	1	1	1
11	303P707160	3P707160	SPRING SEPARATION			1	1	1	1
12	302P118420	2P118420	GUIDE PAPER FEED			1	1	1	1
13	303LL24190	3LL24190	PULLEY GUIDE READING			6	6	6	6
14	303M824130	3M824130	SHAFT GUIDE READING			6	6	6	6
15	302P118260	2P118260	GUIDE READING			1	1	1	1
16	302P194270	2P194270	PARTS ROLLER REGIST SP			1	1	1	1
17	303P794050	3P794050	PARTS ROLLER EXIT SP			1	1	1	1
18	303P794030	3P794030	PARTS ROLLER CONVEYING A SP			1	1	1	1
19	302P194280	2P194280	PARTS ROLLER CONVEYING B SP			1	1	1	1
20	303P794060	3P794060	PARTS ROLLER LOOP SP			1	1	1	1
21	303M894260	3M894260	PARTS SENSOR OPT SP			6	6	6	6
22	303M824210	3M824210	PULLEY CONVEYING BK			2	2	2	2
23	303M824200	3M824200	SHAFT PULLEY			2	2	2	2
101	7BB200308H	BB105660	+BIND T.T P SCREW 3X8						
102	7BP512012B0CH01	BP126440	PARALLEL PIN 2.0X12						
103	7BP512016B0CH01	BP126140	PARALLEL PIN 2.0X16						
104	7BB202310H	BB063420	+TP-FLAT T.T P SCREW 3X10						

• Parts with a Ref.No. of 500 and above in the illustration indicate they are not selected for service parts.

• イラスト中で 500 番台の Ref 番号が付いている部品はサービスパーツに選定されていません。

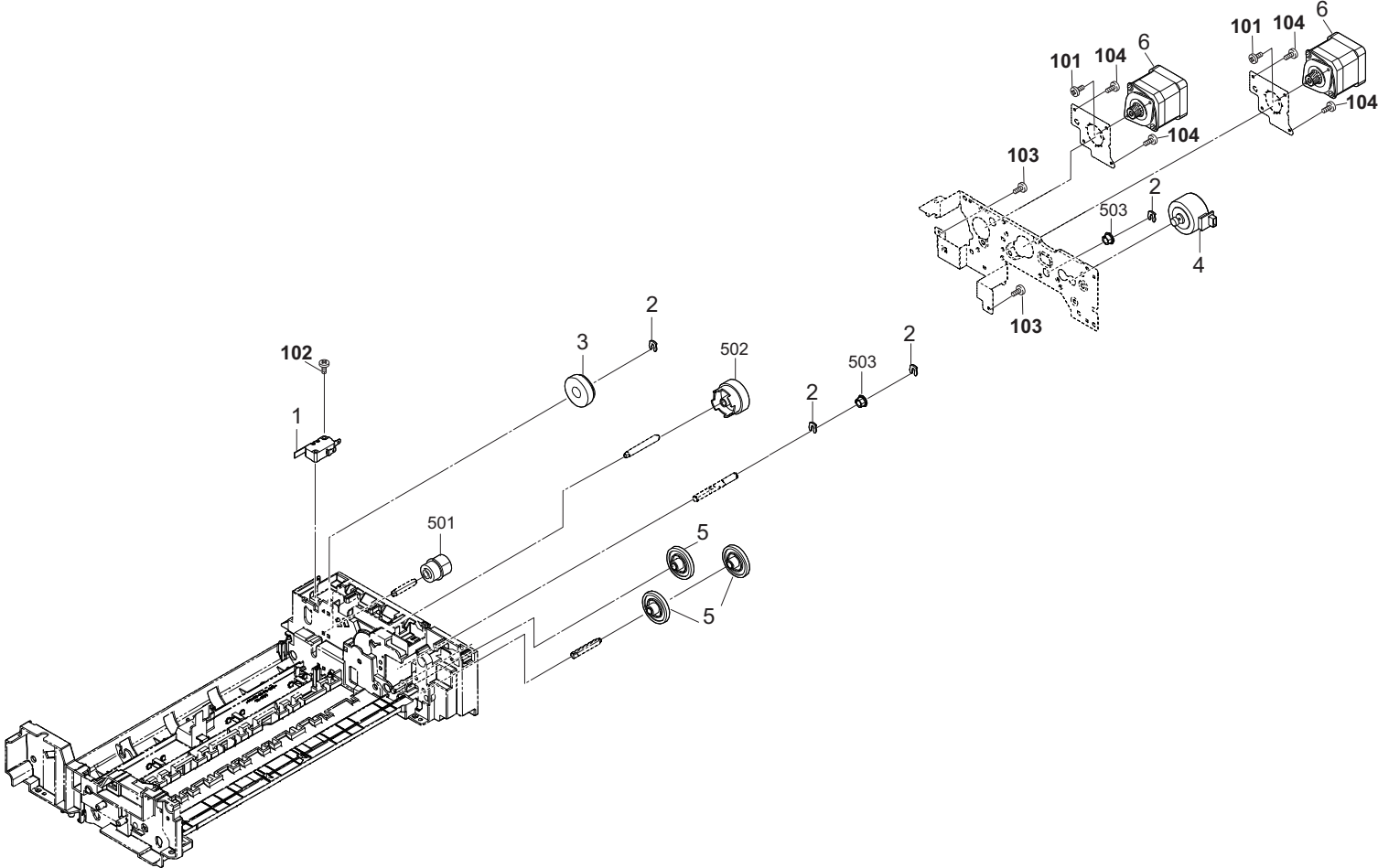


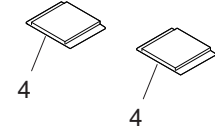
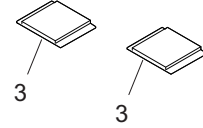
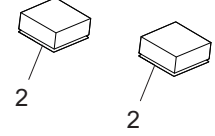
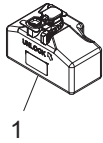
FIG. 34 DP Drive Section

2P3/2P4

Ref. No. 番号	Part.No. 部品番号	Alternative. 代替部品番号	Description 部品名称	Notes 備考	Revision 改訂	Quantity 個数			
						100(日本)	120	230	240
1	2FB27160	2FB27160	INTER LOCK SWITCH			1	1	1	1
2	5MVX111DN003	2A806250	RING STOPPER /A-49 FEED A4			4	4	4	4
3	302KV44041	2KV44041	CLUTCH 50 Z35R			1	1	1	1
4	302KY94140	2KY94140	PARTS MOTOR ROTARY SP			1	1	1	1
5	303H622331	3H622331	GEAR 20/65 IDLE			3	3	3	3
6	303R494040	3R494040	PARTS MOTOR PAPER FEED SP			2	2	2	2
101	7BB000306H	BB106880	+BIND M SCREW 3X6						
102	7BB700316H	BB106910	+BIND T.T S SCREW 3X16 SR						
103	7BB200308H	BB105660	+BIND T.T P SCREW 3X8						
104	7BB700308H	BB105600	+BIND T.T S SCREW 3X8 SR						

• Parts with a Ref.No. of 500 and above in the illustration indicate they are not selected for service parts.

・イラスト中で 500 番台の Ref 番号が付いている部品はサービスパーツに選定されていません。

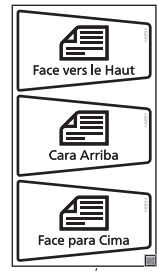


<p>Utilisez le viseur d'exposition pour les types de papier suivants:</p> <ul style="list-style-type: none"> • Papier ordinaire • Papier photo • Papier épais • Papier brillant • Papier mat • Papier synthétique <p>Nettoyage du scanner</p> <p>Si vous voyez des traces sur les copies, nettoyez le scanner de votre côté et le champ de lecture du scanner de documents avec le chiffon fourni.</p>	<p>Para usar el visor de exposición de documentos con los tipos de papel siguientes:</p> <ul style="list-style-type: none"> • Papel común • Papel fotográfico • Papel grueso • Papel brillante • Papel mate • Papel sintético <p>Limpieza del escáner de originales</p> <p>Si observa rastros en las copias, limpie el escáner de su lado y el campo de lectura de documentos con el paño incluido.</p>
<p>Régulez copie pour les originaux mesurés.</p> <p>Apprenez tout le détail de la copie de vos originaux de différents formats dans le logiciel de documents.</p>	<p>Ajuste de tamaño de copia para los originales medidos.</p> <p>Aprenda todos los detalles de la copia de sus originales de diferentes formatos en el software de documentos.</p>
<p>Orientación de originales</p> <p>Place les originaux comme indiqué sur l'écran.</p> <p>Place les originaux comme indiqué sur l'écran.</p> <p>Place les originaux comme indiqué sur l'écran.</p>	<p>Orientación del original</p> <p>Coloque los originales como muestra la pantalla.</p> <p>Coloque los originales como muestra la pantalla.</p> <p>Coloque los originales como muestra la pantalla.</p>

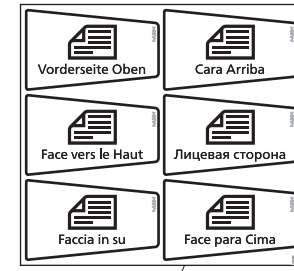
5

<p>Verwenden Sie die Fühlerfolger, Arten von Originalen zu unterscheiden.</p> <p>Benutzer</p> <ul style="list-style-type: none"> • Benutzer • Benutzer • Benutzer • Benutzer • Benutzer <p>Reinigen des Scanners</p> <p>Wenn auf den Kopien Spuren sichtbar sind, reinigen Sie die Belichtungsfläche des Dokumentenlesers von Ihrer Seite und die Lesefläche des Dokumentenlesers.</p>	<p>Non utilizzare le Follower, Arten von Originalen zu unterscheiden.</p> <p>Benutzer</p> <ul style="list-style-type: none"> • Benutzer • Benutzer • Benutzer • Benutzer • Benutzer <p>Pulizia della lettina di copiatura</p> <p>Se sulla copia sono visibili tracce, pulire il lato di lettura del campo di lettura dell' alimentatore di origine e il campo di lettura del scanner.</p>	<p>Gebruik de automatische paper-follower niet voor origineel.</p> <p>Benutzer</p> <ul style="list-style-type: none"> • Benutzer • Benutzer • Benutzer • Benutzer • Benutzer <p>Reinigen van de scanner</p> <p>Als u op de kopie sporen van het origineel ziet, reinig het veld van het origineel van de documentvoeder met uw zijde en het veld van het origineel van de documentvoeder met een doek.</p>	<p>Не используйте автоматический поопределитель оригиналов.</p> <p>Benutzer</p> <ul style="list-style-type: none"> • Benutzer • Benutzer • Benutzer • Benutzer • Benutzer <p>Очистка сканера</p> <p>Если вы видите следы оригинала на копии, почистите область сканирования документа с вашей стороны и область сканирования документа с другой стороны сканера.</p>
<p>Erhalten von orientierten Originalformaten.</p> <p>Originalformat</p> <p>Platzieren Sie die Originalformate wie folgt auf dem Originalformat.</p>	<p>Erhalten von orientierten Originalformaten.</p> <p>Originalformat</p> <p>Platzieren Sie die Originalformate wie folgt auf dem Originalformat.</p>	<p>Erhalten van de oriëntatie van het origineel.</p> <p>Originalformat</p> <p>Plaats de origineel in de oriëntatie van het origineel.</p>	<p>Erhalten von orientierten Originalformaten.</p> <p>Originalformat</p> <p>Platzieren Sie die Originalformate wie folgt auf dem Originalformat.</p>
<p>Orientamento degli originali</p> <p>Conservare l'orientamento degli originali.</p> <p>Conservare l'orientamento degli originali.</p> <p>Conservare l'orientamento degli originali.</p>	<p>Orientamento degli originali</p> <p>Conservare l'orientamento degli originali.</p> <p>Conservare l'orientamento degli originali.</p> <p>Conservare l'orientamento degli originali.</p>	<p>Behouding oriëntatie</p> <p>Behoud de oriëntatie van het origineel.</p> <p>Behoud de oriëntatie van het origineel.</p> <p>Behoud de oriëntatie van het origineel.</p>	<p>Многократное ориентирование</p> <p>Сохраните ориентацию оригинала.</p> <p>Сохраните ориентацию оригинала.</p> <p>Сохраните ориентацию оригинала.</p>

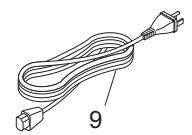
6



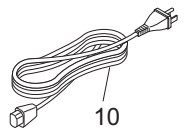
7



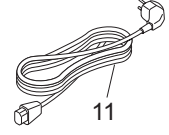
8



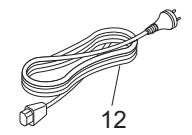
9



10



11



12

FIG. 35 Accessories

Ref. No. 番号	Part.No. 部品番号	Alternative. 代替部品番号	Description 部品名称	Notes 備考	Revision 改訂	Quantity 個数			
						100(日本)	120	230	240
1	302K093110	2K093110	WT-895			1	1	1	1
2	302N404460	2N404460	SPONGE IC CARD	24ppm		2			
3	303LL02531	3LL02531	CUSHION ORIGINAL MAT			2	2	2	2
4	303MX02022	3MX02022	CUSHION ORIGINAL MAT A			2	2	2	2
5	303R734050	3R734050	LABEL CAUTION US				1	1	1
6	303RJ34080	3RJ34080	LABEL CAUTION NL					1	1
7	303R834060	3R834060	LABEL FACE UP US				1		
8	303R834130	3R834130	LABEL FACE UP NL					1	1
9	3019527401	19527401	POWER CORD(120)				1		
10	302AR94050	2AR94050	PARTS AC CORD EU SP					1	
11	7AAACCAS+10H001	AA063380	AC CORD ASSY AS						1
12	7AAACCJP+15H011	AA151970	AC CORD ASSY JP	24ppm		1			

• Parts with a Ref.No. of 500 and above in the illustration indicate they are not selected for service parts.

・イラスト中で 500 番台の Ref 番号が付いている部品はサービスパーツに選定されていません。

FIG. 36 Maintenance Kits

2P3/2P4

Ref. No. 番号	Part.No. 部品番号	Alternative. 代替部品番号	Description 部品名称	Notes 備考	Revision 改訂	Quantity 個数			
						100(日本)	120	230	240
	1702P30JP0	072P30JP	MK-8115A/MAINTENANCE KIT	OPTION:24ppm		1			
	*302K394480	2K394480	PRIMARY FEED UNIT			1			
	*302P393060	2P393060	DK-8115			1			
	*302P39J030	2P39J030	DV-8115K(J)			1			
	*302P393100	2P393100	TR-8115A			1			
	*302P393070	2P393070	FK-8115			1			
	*302K094400	2K094400	REGIST CLEANER			1			
	*302K394460	2K394460	MPF ROLLER	service only		1			
	*302P194090	2P194090	SEPARATION PAD	service only		1			
	*302P393010	2P393010	TR-8115B			1			
	1702P30UN0	072P30UN	MK-8115A/MAINTENANCE KIT	OPTION			1	1	1
	*302K394480	2K394480	PRIMARY FEED UNIT				1	1	1
	*302P393060	2P393060	DK-8115				1	1	1
	*302P393030	2P393030	DV-8115K				1	1	1
	*302P393100	2P393100	TR-8115A				1	1	1
	*302P393070	2P393070	FK-8115				1	1	1
	*302K094400	2K094400	REGIST CLEANER				1	1	1
	*302K394460	2K394460	MPF ROLLER	service only			1	1	1
	*302P194090	2P194090	SEPARATION PAD	service only			1	1	1
	*302P393010	2P393010	TR-8115B				1	1	1
	1702P30JP1	072P30J1	MK-8115B/MAINTENANCE KIT	OPTION:24ppm		1			
	*302P393060	2P393060	DK-8115			3			
	*302P39J020	2P39J020	DV-8115C(J)			1			
	*302P39J040	2P39J040	DV-8115M(J)			1			
	*302P39J050	2P39J050	DV-8115Y(J)			1			
	1702P30UN1	072P30U1	MK-8115B/MAINTENANCE KIT	OPTION			1	1	1
	*302P393060	2P393060	DK-8115				3	3	3
	*302P393020	2P393020	DV-8115C				1	1	1
	*302P393040	2P393040	DV-8115M				1	1	1
	*302P393050	2P393050	DV-8115Y				1	1	1
	1702P10UN0	072P10UN	MK-6110/MAINTENANCE KIT	OPTION,for customer		1	1	1	1
	*302P194100	2P194100	FEED ROLLER (DP)	service only		1	1	1	1
	*302P194110	2P194110	RETARD GUIDE (DP)	service only		1	1	1	1
	*302P194120	2P194120	RETARD ROLLER (DP)	service only		1	1	1	1

• Parts with a Ref.No. of 500 and above in the illustration indicate they are not selected for service parts.

• イラスト中で 500 番台の Ref 番号が付いている部品はサービスパーツに選定されていません。

Part.No. 部品番号	Alternative. 代替部品番号	Description 部品名称	Fig.No.
1702P10UN0	072P10UN	MK-6110/MAINTENANCE KIT	36
1702P30JP0	072P30JP	MK-8115A/MAINTENANCE KIT	36
1702P30JP1	072P30J1	MK-8115B/MAINTENANCE KIT	36
1702P30UN0	072P30UN	MK-8115A/MAINTENANCE KIT	36
1702P30UN1	072P30U1	MK-8115B/MAINTENANCE KIT	36
2FB07330	2FB07330	STOPPER BYPASS TABLE	1
2FB27160	2FB27160	INTER LOCK SWITCH	3,34
2FM04150	2FM04150	CAP SPRING /B-11 ENCLOSURE A4	1,6
3019527401	19527401	POWER CORD(120)	35
302AR94050	2AR94050	PARTS AC CORD EU SP	35
302BG06152	2BG06152	SHAFT FEED B	1
302DY04091	2DY04091	EMBLEM KC 1SG 70 W	1
302FB17700	2FB17700	SPRING BYPASS TEBLE	7
302FZ94380	2FZ94380	PARTS,FAN COOLING DLP 70 SP	16
302FZ94420	2FZ94420	PARTS,FAN COOLING CONVEYING SP	16
302H008140	2H008140	SPRING BYPASSFFED	30
302H024510	2H024510	STOPPER SHUTTER	1
302H728100	2H728100	SPRING EXIT PULLEY	30
302HG44120	2HG44120	FAN MOTOR PS40	16
302HN44100	2HN44100	MOTOR REVERSE	6,9
302HN44210	2HN44210	FAN MOTOR	7
302HS31120	2HS31120	GEAR Z27L CLUTCH	5
302K002230	2K002230	ACTUATOR PAPER EMPTY	2
302K002880	2K002880	WORM-WHEEL ID SENSOR CLEANING	2
302K002890	2K002890	GEAR ID SENSOR CLEANING Z71R	2
302K002A32	2K002A32	COVER INNER FRONT	2
302K003012	2K003012	HOUSING WASTE	3
302K003022	2K003022	CASE WASTE A	3
302K003050	2K003050	SCREW WASTE	3
302K003060	2K003060	GEAR SCREW WASTE Z13L	3
302K003110	2K003110	GEAR WASTE Z13L	3
302K003140	2K003140	JOINT WASTE C	3
302K003280	2K003280	SEAL CASE WASTE C	3
302K003331	2K003331	SEAL CASE WASTE D	3
302K003621	2K003621	PLATE HOUSING WASTE	3
302K004060	2K004060	COVER RIGHT REAR	1
302K004271	2K004271	COVER RIGHT MIDDLE	7
302K004281	2K004281	SPRING FRONT COVER	1
302K011041	2K011041	GEAR MC Z17S	12
302K015030	2K015030	GEAR Z20S-Z26L	3
302K015040	2K015040	GEAR Z50S	3
302K015200	2K015200	SHUTTER TONER SUPPLY A	2
302K015230	2K015230	GEAR IDLE Z22S	2
302K015240	2K015240	GEAR JOINT Z26S	2
302K015340	2K015340	SEAL SHUTTER SUPPLY	2
302K028060	2K028060	GUIDE CHANGE	6
302K028080	2K028080	ACTUATOR EXIT OVERFLOW LOW	6
302K028090	2K028090	ACTUATOR EXIT OVERFLOW UP	6
302K028260	2K028260	GEAR Z23S EXIT	6
302K029030	2K029030	PULLEY DU 26 B	7
302K029060	2K029060	WIRE EARTH DU A	7

Part.No. 部品番号	Alternative. 代替部品番号	Description 部品名称	Fig.No.
302K029070	2K029070	WIRE EARTH DU B	7
302K029080	2K029080	SPRING DU FEED	7
302K029090	2K029090	SPONGE GUIDE	7
302K029100	2K029100	SPONGE RIGHT COVER	7
302K031450	2K031450	HOLDER CLUTCH	15
302K031720	2K031720	GEAR BELT CLEANING DRIVE Z30L	2
302K031740	2K031740	GEAR BELT CLEANING DRIVE Z20L	2
302K033012	2K033012	DUCT EXIT	16
302K034180	2K034180	SHEET COVER FRONT	1
302K034270	2K034270	LABEL DEHUMIDIFIER SWITCH E	1
302K034280	2K034280	LABEL DEHUMIDIFIER SWITCH A	1
302K046020	2K046020	WIRE FEED UNIT 2	19
302K046300	2K046300	WIRE LIFT FULL	22
302K046370	2K046370	WIRE FAN MOT DLP/LSU	22
302K046670	2K046670	WIRE OUTLET	23
302K046690	2K046690	WIRE AC CASSETTE SW	24
302K046760	2K046760	WIRE AC INLET	23
302K046830	2K046830	WIRE HUMIT 2	22
302K093110	2K093110	WT-895	35
302K093124	2K093124	DR-895A	15
302K093134	2K093134	DR-895B	15
302K093143	2K093143	DR-895C	15
302K094050	2K094050	PARTS TONER SUPPLY ASSY SP	2
302K094090	2K094090	PARTS MOTOR-DC ASSY C SP	10
302K094100	2K094100	PARTS DC MOTOR SP	2,3
302K094190	2K094190	PARTS PWB TRANSFER CONNECT ASSY SP	17
302K094280	2K094280	PARTS TONER FULL DETECT ASSY SP	3
302K094300	2K094300	PARTS FAN MOTOR SP	17
302K094320	2K094320	PARTS CLUTCH 50 Z45L SP	15
302K094330	2K094330	PARTS ROLLER MIDDLE SP	5
302K094340	2K094340	PARTS ROLLER EXIT FD SP	6
302K094350	2K094350	PARTS ROLLER EXIT REVERSE SP	6
302K094390	2K094390	PARTS ROLLER DU B SP	7
302K094400	2K094400	REGIST CLEANER	5,36
302K094420	2K094420	PARTS ROLLER REGIST RIGHT SP	7
302K094640	2K094640	PARTS DRIVE MIDDLE TRANS SP	15
302K302420	2K302420	HEATER DEHUMIDIFIER 100	3
302K302430	2K302430	HEATER DEHUMIDIFIER 120	3
302K302440	2K302440	HEATER DEHUMIDIFIER 240	3
302K302831	2K302831	ACTUATOR DECK FEED	2
302K304070	2K304070	COVER RIGHT LOW	1
302K304230	2K304230	STRAP COVER FRONT R	1
302K304320	2K304320	STRAP COVER FRONT L	1
302K304520	2K304520	HOOK RIGHT COVER	7
302K306320	2K306320	GUIDE COVER INNER	1
302K306330	2K306330	SHAFT INNER ROLLER F	1
302K306340	2K306340	STOPPER INNER GUIDE	1
302K306350	2K306350	SPRING INNER GUIDE	1
302K306380	2K306380	SHAFT INNER ROLLER R	1
302K308020	2K308020	ACTUATOR MPF	5
302K308080	2K308080	SHAFT MPF	5

Part.No. 部品番号	Alternative. 代替部品番号	Description 部品名称	Fig.No.
302K308460	2K308460	STRAP LINK MPF	7
302K309021	2K309021	BASE CASSETTE	4
302K309041	2K309041	ARM SIZE DETECTION	4
302K309080	2K309080	COVER CASSETTE	4
302K309120	2K309120	CURSOR CASSETTE REAR	4
302K309130	2K309130	CURSOR CASSETTE FRONT	4
302K309270	2K309270	CURSOR END	4
302K309410	2K309410	PLATE SIZE DETECTION	3
302K317250	2K317250	SWITCH RELEASE	9
302K317260	2K317260	MOUNT RELEASE SWITCH	9
302K317820	2K317820	STOPPER PAPER C	6
302K329020	2K329020	PULLEY DU	7
302K329040	2K329040	ACTUATOR DU	7
302K334090	2K334090	SHEET CASSETTE C	4
302K334100	2K334100	SHEET CASSETTE I	4
302K339050	2K339050	PLATE OPTION	17
302K346470	2K346470	WIRE PF DRAWER	23
302K346660	2K346660	WIRE PF DRAWER 200	23
302K393174	2K393174	CT-475	4
302K394190	2K394190	PARTS MOTOR LIFT ASSY SP	2
302K394230	2K394230	PARTS ROLLER REGIST LEFT SP	5
302K394250	2K394250	PARTS ROLLER DU SP	7
302K394310	2K394310	PARTS GEAR REGIST Z28L-Z18L SP	5
302K394320	2K394320	PARTS GEAR MPF Z28 SP	5
302K394330	2K394330	PARTS GEAR REGIST Z24R SP	7
302K394340	2K394340	PARTS GEAR Z74R-Z22S EXIT SP	6
302K394370	2K394370	PARTS GEAR Z18-Z63R SP	9
302K394380	2K394380	PARTS GEAR Z18 SP	4
302K394400	2K394400	PARTS GEAR DU Z27L SP	7
302K394460	2K394460	MPF ROLLER	5,36
302K394471	2K394471	PARTS MPF TABLE ASSY SP	7
302K394480	2K394480	PRIMARY FEED UNIT	5,36
302K994323	2K994323	PARTS MOTOR-BL W20 SP	15
302K994333	2K994333	PARTS MOTOR-BL W30 SP	15
302K994520	2K994520	PARTS GEAR Z32L SP	10
302KP29090	2KP29090	GEAR IDLE Z18S	6
302KV44041	2KV44041	CLUTCH 50 Z35R	34
302KV94360	2KV94360	PARTS PWB ASSY THERMISTOR SP	17
302KY94140	2KY94140	PARTS MOTOR ROTARY SP	34
302LC94302	2LC94302	PARTS MOTOR-BL W20 DRUM SP	15
302LC94380	2LC94380	PARTS FAN COOLING LSU 60 SP	16
302MV02190	2MV02190	FOOT	3
302MV04730	2MV04730	TRAY EJECT	6
302MV21110	2MV21110	SHAFT TRANSFER CLEANING DRIVE	2
302MV24030	2MV24030	PULLEY MIDDLE	7
302MV94550	2MV94550	PARTS TRAY EJECT ASSY SP	6
302N404460	2N404460	SPONGE IC CARD	35
302ND94300	2ND94300	PARTS PWB IH 100 ASSY SP	17
302ND94310	2ND94310	PARTS PWB IH 200 ASSY SP	17
302ND94800	2ND94800	PARTS SENSOR OPT SP	8,9
302NG17070	2NG17070	GEAR P21-Z62R	8

Part.No. 部品番号	Alternative. 代替部品番号	Description 部品名称	Fig.No.
302NG94211	2NG94211	PARTS MOTOR ISU SP	8
302NG94220	2NG94220	PARTS FAN MOTOR SP	16
302NG94300	2NG94300	PARTS PWB SWITCH ASSY SP	1
302NM94121	2NM94121	PARTS TABLET OPERATION SP	18
302NP93020	2NP93020	MC-8325	12
302P104030	2P104030	COVER ISU RIGHT	9
302P104040	2P104040	COVER ISU LEFT	9
302P104050	2P104050	COVER ISU REAR	9
302P104100	2P104100	COVER RIGHT MIDDLE	1
302P104110	2P104110	COVER ISU FRONT	9
302P104130	2P104130	COVER REAR TOP	1
302P104160	2P104160	COVER ISU FRONT A	9
302P104170	2P104170	COVER CARD-READER	8,9
302P104210	2P104210	COVER EXIT FRONT UPPER	1
302P104220	2P104220	COVER ISU LEFT SUB	9
302P105010	2P105010	COVER OPERATION	18
302P105020	2P105020	COVER OPERATION LOW	18
302P105030	2P105030	COVER PANEL RIGHT	18
302P105040	2P105040	COVER PANEL LEFT	18
302P105050	2P105050	LID OPERATION LEFT	18
302P105120	2P105120	LID OPERATION RIGHT	18
302P105500	2P105500	SHEET OPERATION RIGHT JP	18
302P105510	2P105510	SHEET OPERATION LEFT JP	18
302P105520	2P105520	SHEET OPERATION RIGHT EN	18
302P105530	2P105530	SHEET OPERATION LEFT EN	18
302P117120	2P117120	COVER DP CONNECTOR	8,9
302P118130	2P118130	COVER FRONT	29
302P118140	2P118140	COVER REAR A	29
302P118150	2P118150	COVER PF	32
302P118160	2P118160	COVER LEFT	30
302P118200	2P118200	CURSOR FRONT	31
302P118210	2P118210	CURSOR REAR	31
302P118220	2P118220	STOPPER EJECT	29
302P118230	2P118230	GUIDE CONVEYING UPPER	32
302P118240	2P118240	COVER REAR B	29
302P118250	2P118250	COVER INNER	29
302P118260	2P118260	GUIDE READING	33
302P118340	2P118340	COVER LID	29
302P118420	2P118420	GUIDE PAPER FEED	33
302P118490	2P118490	GUIDE RIGHT READING B	30
302P118550	2P118550	HOOK REAR B	33
302P146210	2P146210	CONN.CORD ASSY FFC CCD	26
302P146220	2P146220	CONN.CORD ASSY FFC LED LAMP	26
302P146250	2P146250	CONN.CORD ASSY FFC PANEL LEFT	25
302P146260	2P146260	CONN.CORD ASSY FFC PANEL RIGHT	25
302P146280	2P146280	CONN.CORD ASSY NFC	25
302P146610	2P146610	CONN.CORD ASSY DP ENGINE	27
302P193100	2P193100	PARTS DP UNIT SP	28
302P193110	2P193110	PARTS MOUNT LED ASSY	9
302P193120	2P193120	PARTS ISU SP	9
302P194020	2P194020	PARTS TABLE ASSY SP	31

Part.No. 部品番号	Alternative. 代替部品番号	Description 部品名称	Fig.No.
302P194040	2P194040	PARTS MPF ASSY SP	5
302P194050	2P194050	PARTS CONTACT-GLASS ASSY(C) SP	9
302P194060	2P194060	PARTS CONTACT-GLASS ASSY(I) SP	9
302P194070	2P194070	PARTS OPERATION UNIT SP	18
302P194090	2P194090	SEPARATION PAD	5,36
302P194100	2P194100	FEED ROLLER (DP)	32,36
302P194110	2P194110	RETARD GUIDE (DP)	33,36
302P194120	2P194120	RETARD ROLLER (DP)	33,36
302P194130	2P194130	PARTS WIFI UNIT SP	17
302P194160	2P194160	PARTS PWB PANEL MAIN ASSY SP	18
302P194180	2P194180	PARTS PWB DP MAIN ASSY SP	30
302P194230	2P194230	PARTS LCD OPERATION SP	18
302P194270	2P194270	PARTS ROLLER REGIST SP	33
302P194280	2P194280	PARTS ROLLER CONVEYING B SP	33
302P194310	2P194310	MPF ROLLER-PAD SET	5
302P204010	2P204010	COVER ISU FRONT	8
302P204020	2P204020	COVER EXIT FRONT UPPER	1
302P205010	2P205010	COVER OPERATION	18
302P205020	2P205020	COVER OPERATION LOW	18
302P205080	2P205080	COVER OPERATION J	18
302P246030	2P246030	CONN.CORD ASSY FFC PANEL LEFT	25
302P246040	2P246040	CONN.CORD ASSY FFC PANEL RIGHT	25
302P293010	2P293010	PARTS CIS ASSY SP	8
302P294010	2P294010	PARTS OPERATION UNIT SP	18
302P294020	2P294020	PARTS OPERATION UNIT J SP	18
302P294050	2P294050	PARTS PWB PANEL MAIN ASSY SP	18
302P294060	2P294060	PARTS LCD OPERATION SP	18
302P294070	2P294070	PARTS CONTACT-GLASS ASSY SP	8
302P304010	2P304010	COVER FRONT	1
302P304020	2P304020	COVER FRONT TOP	1
302P304030	2P304030	COVER LEFT LOW	1
302P304040	2P304040	COVER LEFT MIDDLE	1
302P304050	2P304050	COVER EXIT REAR	1
302P304060	2P304060	COVER TRAY LEFT	1
302P304070	2P304070	COVER REAR	1
302P304080	2P304080	LID CONTROLLER BOX	1
302P304100	2P304100	COVER TRAY	1
302P304140	2P304140	COVER WIFI	1
302P304150	2P304150	SPRING HOLDER SWITCH	1
302P304210	2P304210	COVER EXIT FRONT	1
302P324050	2P324050	GUIDE FEED CASSETTE	5
302P326540	2P326540	GEAR IDLE Z20S	2
302P328050	2P328050	GEAR Z21S EXIT	6
302P329010	2P329010	GUIDE EXIT RIGHT B	7
302P334020	2P334020	LABEL EMBLEM M8130	1
302P339140	2P339140	WIRE EARTH WIFI	17
302P346010	2P346010	CONN.CORD ASSY DLP DRUM MOT DLP CL	19
302P346020	2P346020	CONN.CORD ASSY BELT FUSER MOTOR	19
302P346250	2P346250	CONN.CORD ASSY FUSER	24
302P346290	2P346290	CONN.CORD ASSY IH ENGINE	24
302P346360	2P346360	CONN.CORD ASSY FFC ENGINE MAIN	21

Part.No. 部品番号	Alternative. 代替部品番号	Description 部品名称	Fig.No.
302P346420	2P346420	CONN.CORD ASSY MAIN-PANEL	25
302P393010	2P393010	TR-8115B	7,36
302P393020	2P393020	DV-8115C	11,36
302P393030	2P393030	DV-8115K	11,36
302P393040	2P393040	DV-8115M	11,36
302P393050	2P393050	DV-8115Y	11,36
302P393060	2P393060	DK-8115	12,36
302P393070	2P393070	FK-8115	14,36
302P393080	2P393080	FK-8116IH	14
302P393090	2P393090	FK-8117IH	14
302P393100	2P393100	TR-8115A	13,36
302P393110	2P393110	LK-8115	10
302P394010	2P394010	PARTS CONVEYING UNIT SP	7
302P394020	2P394020	PARTS COVER RIGHT ASSY SP	7
302P394030	2P394030	PARTS PIPE TRANSFER CLEANING ASSY SP	2
302P394040	2P394040	PARTS EXIT UNIT SP	6
302P394050	2P394050	PARTS ID SENSOR ASSY SP	2
302P394070	2P394070	PARTS PWB LSU CONNECT ASSY SP	10
302P394080	2P394080	PARTS UNIT LOW VOLTAGE 100V SP	17
302P394090	2P394090	PARTS UNIT LOW VOLTAGE 200V SP	17
302P394100	2P394100	PARTS UNIT HIGH VOLTAGE 1 SP	17
302P394110	2P394110	PARTS UNIT HIGH VOLTAGE 2 SP	17
302P394120	2P394120	PARTS PWB MAIN ASSY SP	17
302P394130	2P394130	PARTS PWB MAIN ASSY SP EU	17
302P394140	2P394140	PARTS MEMORY MODULE SP	17
302P394150	2P394150	PARTS PWB ENGINE ASSY SP	17
302P394160	2P394160	PARTS PWB CONTAINER CONNECT ASSY SP	2
302P394170	2P394170	PARTS PWB DRUM DLP CONNECT ASSY SP	2
302P394180	2P394180	PARTS PWB KUIO ASSY SP	17
302P39J020	2P39J020	DV-8115C(J)	11,36
302P39J030	2P39J030	DV-8115K(J)	11,36
302P39J040	2P39J040	DV-8115M(J)	11,36
302P39J050	2P39J050	DV-8115Y(J)	11,36
302P434010	2P434010	LABEL EMBLEM 2460	1
302P434020	2P434020	LABEL EMBLEM M8124	1
302P434030	2P434030	LABEL DEHUMIDIFIER SWITCH	1
302P446060	2P446060	CONN.CORD ASSY LSU CONNECT 5	20
302P493010	2P493010	LK-8116	10
302P494010	2P494010	PARTS PWB LSU CONNECT ASSY SP	10
302P494020	2P494020	PARTS PWB MAIN ASSY SP	17
302P494030	2P494030	PARTS PWB MAIN ASSY SP EU	17
302P494040	2P494040	PARTS PWB ENGINE ASSY SP	17
302R494310	2R494310	PARTS TABLET OPERATION SP	18
302RH17060	2RH17060	GEAR P54	9
302V617080	2V617080	GUIDE FFC LED	9
303H622331	3H622331	GEAR 20/65 IDLE	34
303J902370	3J902370	CUSHION ORIGINAL MAT	29
303JC04201	3JC04201	PLATE ORIGINAL	29
303LJ94150	3LJ94150	PARTS SOLENOID FEED SHIFT SP	6
303LL02531	3LL02531	CUSHION ORIGINAL MAT	35
303LL24190	3LL24190	PULLEY GUIDE READING	33

PF-470

Rev.2
August 2017

———— CONTENTS / 目次 ————

FIG. 1	Covers	2
FIG. 2	Paper Feed Section 1	4
FIG. 3	Paper Feed Section 2	6
FIG. 4	Paper Cassette	8
	• INDEX / 索引	10

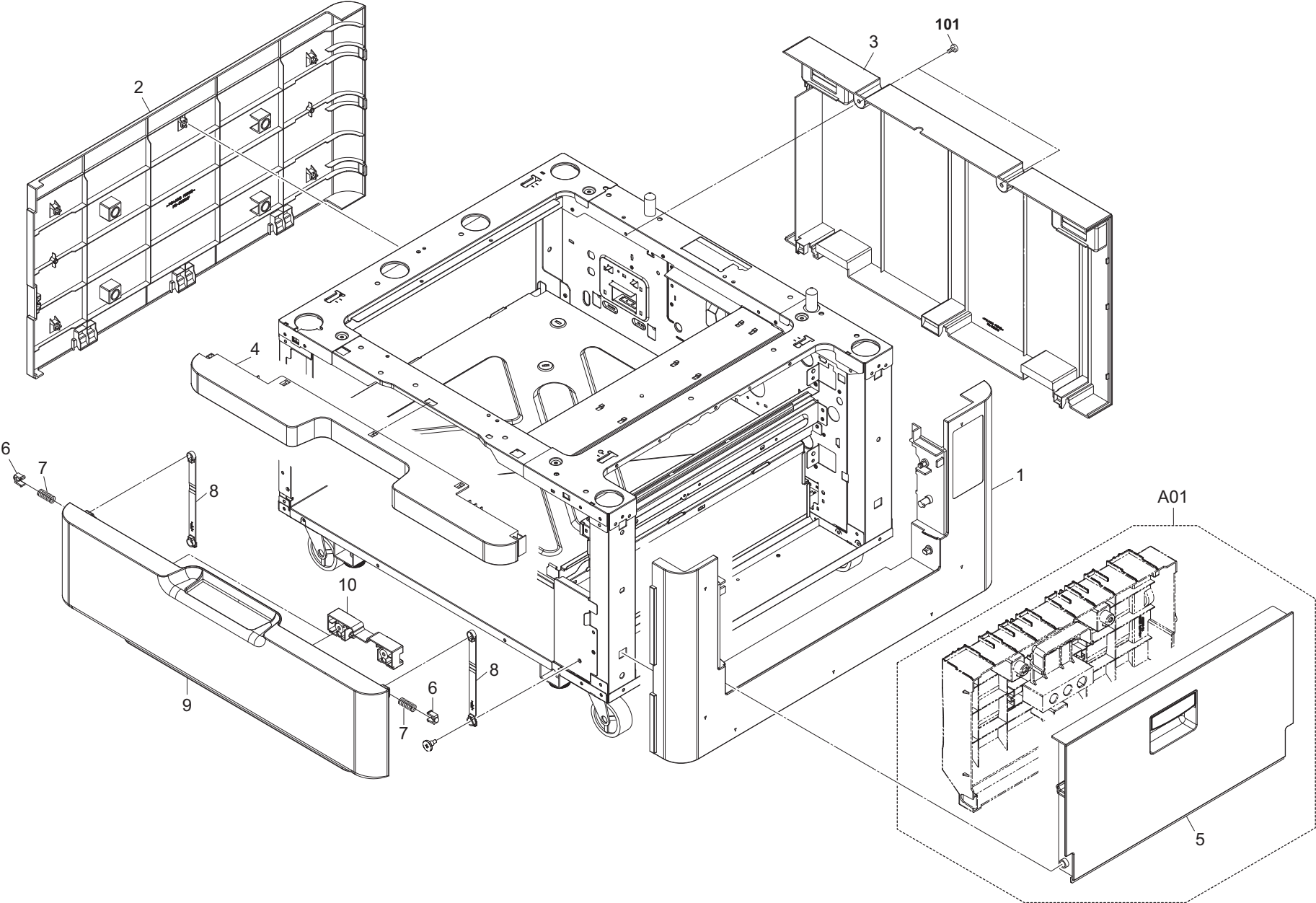


FIG. 1 Covers

3NP-1

Ref. No. 番号	Part.No. 部品番号	Alternative. 代替部品番号	Description 部品名称	Notes 備考	Revision 改訂	Quantity 個数			
						100(日本)	120	230	240
1	303NN04010	3NN04010	COVER RIGHT			1	1	1	1
2	303NN04020	3NN04020	COVER LEFT			1	1	1	1
3	303NN04030	3NN04030	COVER REAR			1	1	1	1
4	303NN04051	3NN04051	COVER TOP			1	1	1	1
A01	303NN94030	3NN94030	PARTS COVER RIGHT FEED ASSY SP			1	1	1	1
5	*303NN04510	3NN04510	COVER RIGHT FEED			1	1	1	1
101	7BB702308H	BB107060	+TP-FLAT T.T S SCREW 3X8 SR						

• Parts with a Ref.No. of 500 and above in the illustration indicate they are not selected for service parts.

• イラスト中で 500 番台の Ref 番号が付いている部品はサービスパーツに選定されていません。

FIG. 2 Paper Feed Section 1

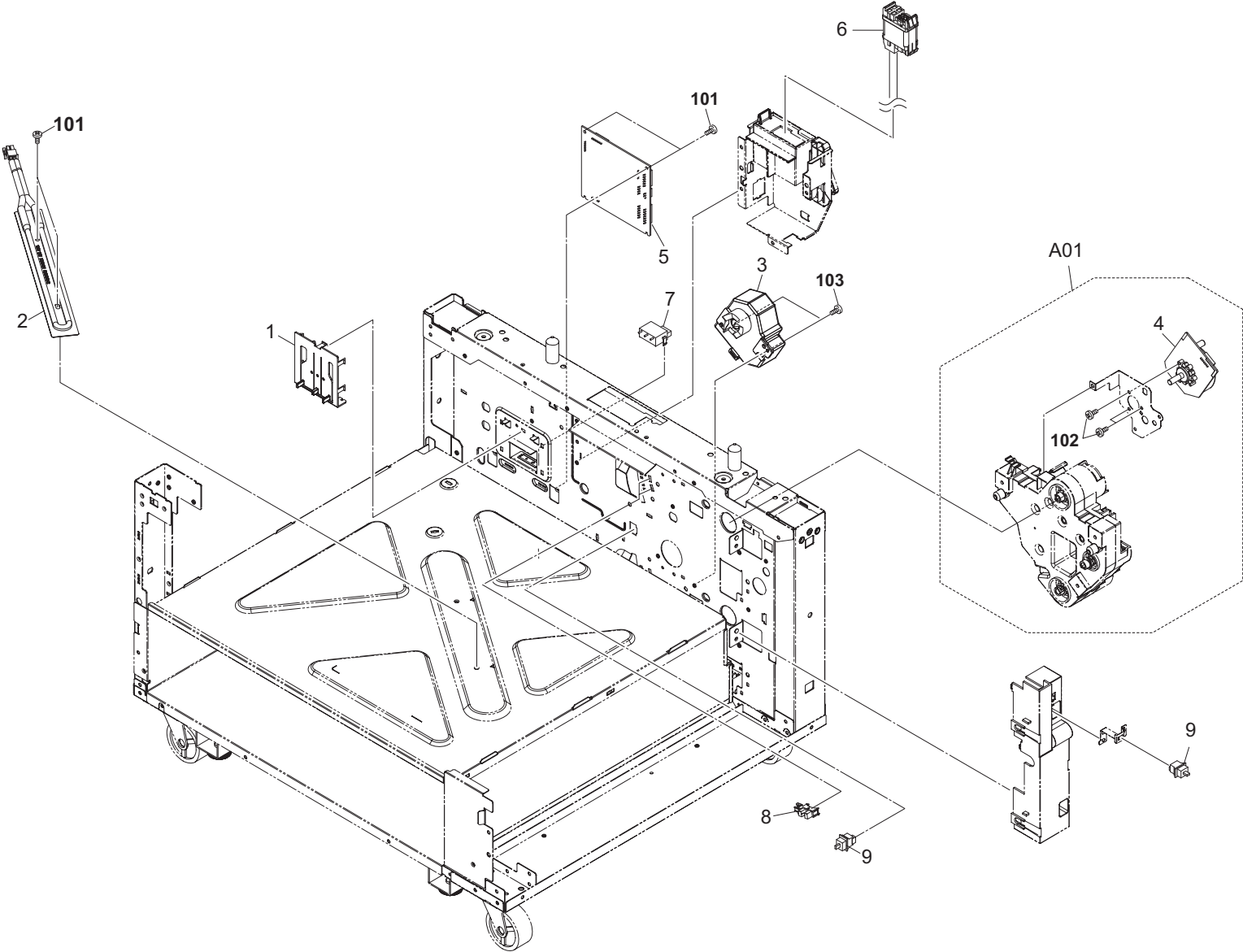


FIG. 2 Paper Feed Section 1

3NP-2

Ref. No. 番号	Part.No. 部品番号	Alternative. 代替部品番号	Description 部品名称	Notes 備考	Revision 改訂	Quantity 個数			
						100(日本)	120	230	240
1	302K309410	2K309410	PLATE SIZE DETECTION			1	1	1	1
2	302K302420	2K302420	HEATER DEHUMIDIFIER 100			1			
2	302K302430	2K302430	HEATER DEHUMIDIFIER 120				1		
2	302K302440	2K302440	HEATER DEHUMIDIFIER 240					1	1
3	302K394190	2K394190	PARTS MOTOR LIFT ASSY SP			1	1	1	1
A01	303NP94010	3NP94010	PARTS DRIVE ASSY SP			1	1	1	1
4	+303NN94020	3NN94020	PARTS MOTOR-BL W10 SP			1	1	1	1
5	303NN94012	3NN94012	PARTS PWB PF MAIN ASSY SP		2: Design-chg.	1	1	1	1
6	303NP46010	3NP46010	WIRE INTERFACE			1	1		
6	303NP46020	3NP46020	WIRE INTERFACE 200					1	1
7	5ESP03090001+01	SP000360	PUSH SWITCH 03 SN /SW-192 N			1	1	1	1
8	7NXGP1S173LCH01	NX116910	SENSOR OPT.			2	2	2	2
9	7SP01000001+H01	SP044290	SW.PUSH			2	2	2	2
101	7BB700308H	BB105600	+BIND T.T S SCREW 3X8 SR						
102	7BB000304H	BB105720	+BIND M SCREW 3X4						
103	7BB700312H	BB106820	+BIND T.T S SCREW 3X12 SR						

• Parts with a Ref.No. of 500 and above in the illustration indicate they are not selected for service parts.

・イラスト中で 500 番台の Ref 番号が付いている部品はサービスパーツに選定されていません。

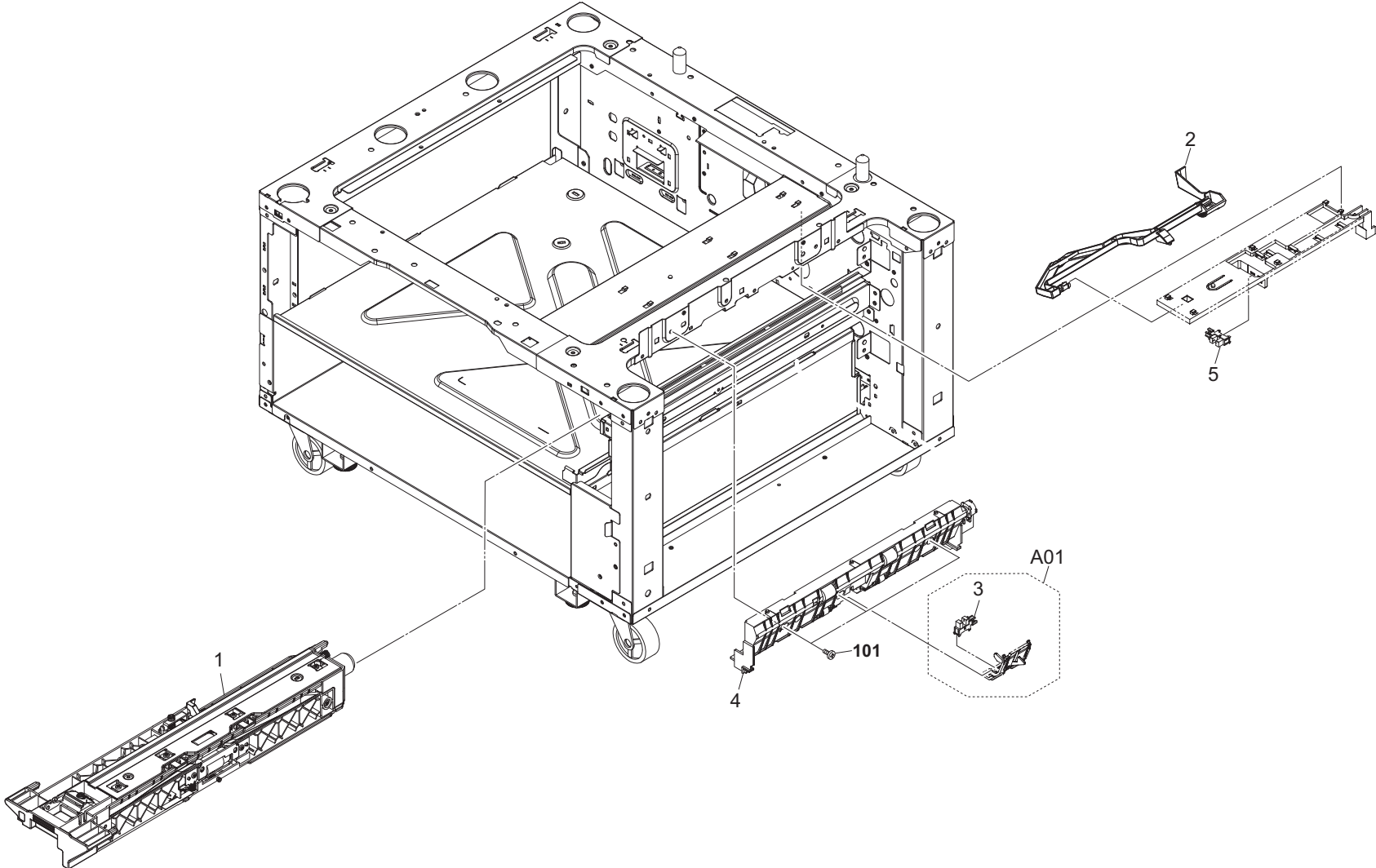


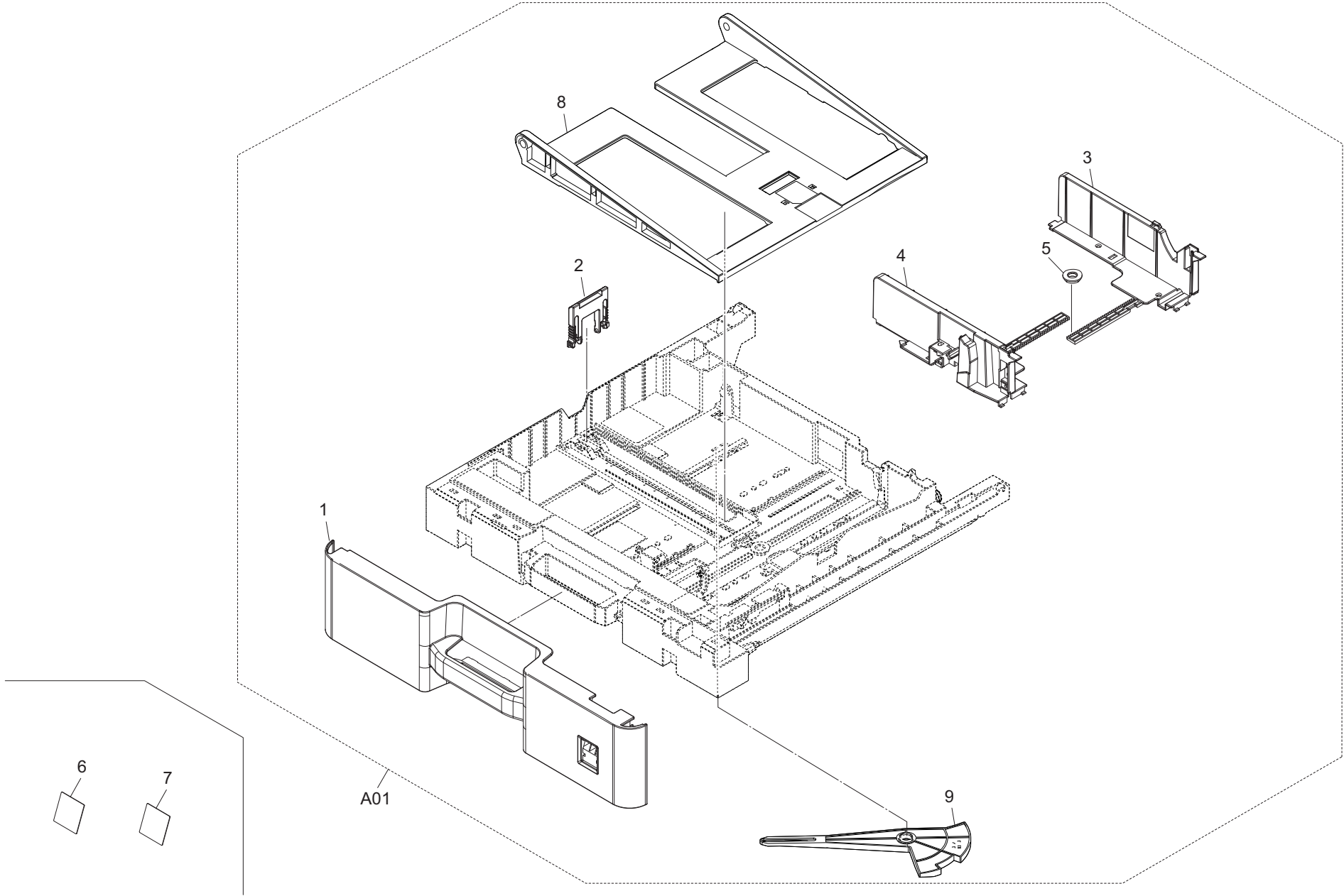
FIG. 3 Paper Feed Section 2

3NP-2

Ref. No. 番号	Part.No. 部品番号	Alternative. 代替部品番号	Description 部品名称	Notes 備考	Revision 改訂	Quantity 個数			
						100(日本)	120	230	240
1	302K394480	2K394480	PRIMARY FEED UNIT			1	1	1	1
2	302K302811	2K302811	ACTUATOR PAPER EMPTY		2: Design-chg.	1	1	1	1
A01	303NN94040	3NN94040	PARTS ACTUATOR FEED ASSY SP			1	1	1	1
3	*7NXGP1S173LCH01	NX116910	SENSOR OPT.			1	1	1	1
4	303NN94050	3NN94050	PARTS ROLLER GUIDE UPPER ASSY SP			1	1	1	1
5	7NXGP1S173LCH01	NX116910	SENSOR OPT.			1	1	1	1
101	7BB702308H	BB107060	+TP-FLAT T.T S SCREW 3X8 SR						

• Parts with a Ref.No. of 500 and above in the illustration indicate they are not selected for service parts.

• イラスト中で 500 番台の Ref 番号が付いている部品はサービスパーツに選定されていません。



PF-471

Rev.2
August 2017

———— CONTENTS / 目次 ————

FIG. 1	Covers	2
FIG. 2	Paper Feed Section 1	4
FIG. 3	Paper Feed Section 2	6
FIG. 4	Paper Cassette	8
	• INDEX / 索引	10

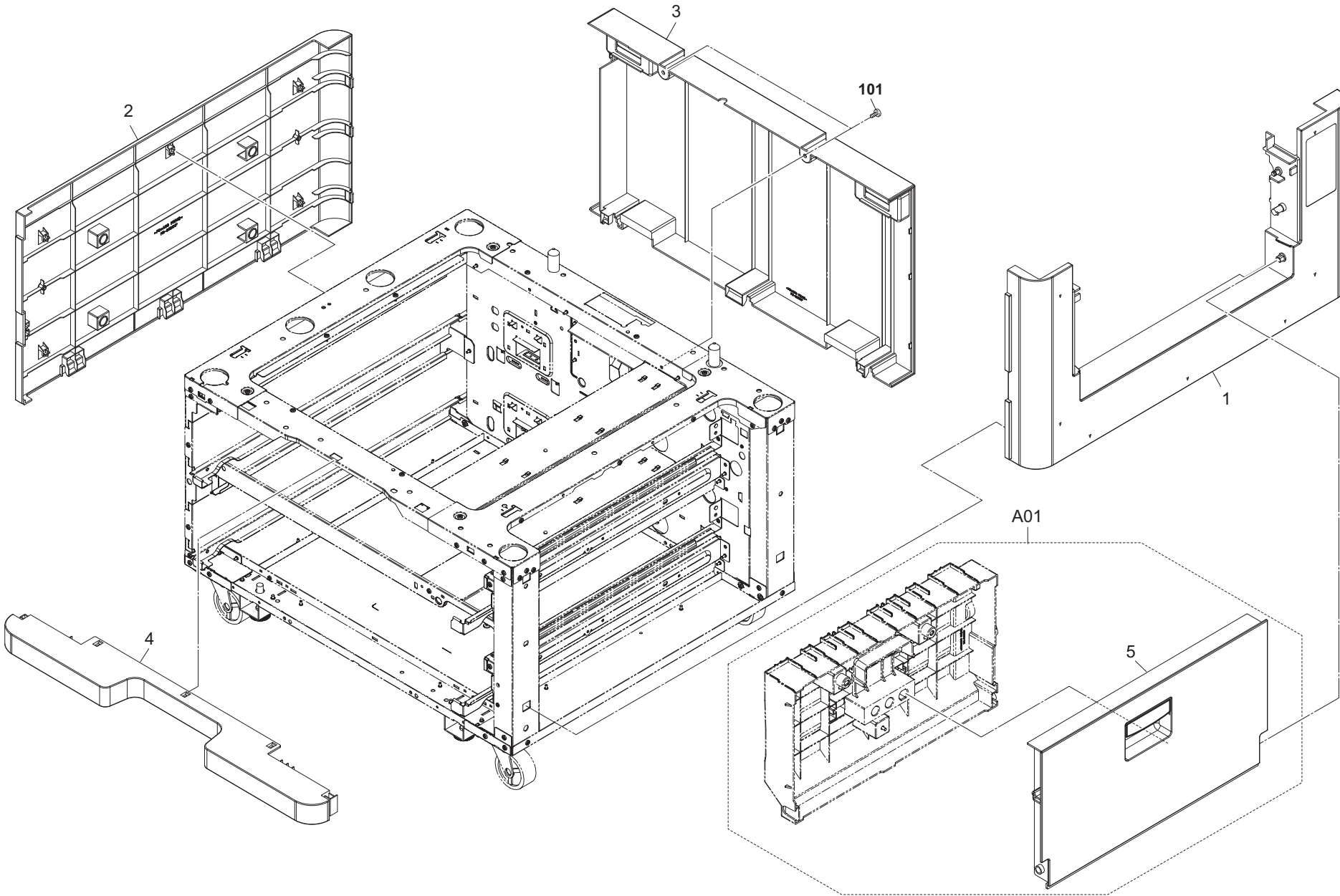


FIG. 1 Covers

3NN-1

Ref. No. 番号	Part.No. 部品番号	Alternative. 代替部品番号	Description 部品名称	Notes 備考	Revision 改訂	Quantity 個数			
						100(日本)	120	230	240
1	303NN04010	3NN04010	COVER RIGHT			1	1	1	1
2	303NN04020	3NN04020	COVER LEFT			1	1	1	1
3	303NN04030	3NN04030	COVER REAR			1	1	1	1
4	303NN04051	3NN04051	COVER TOP			1	1	1	1
A01	303NN94030	3NN94030	PARTS COVER RIGHT FEED ASSY SP			1	1	1	1
5	*303NN04510	3NN04510	COVER RIGHT FEED			1	1	1	1
101	7BB702308H	BB107060	+TP-FLAT T.T S SCREW 3X8 SR						

• Parts with a Ref.No. of 500 and above in the illustration indicate they are not selected for service parts.

• イラスト中で 500 番台の Ref 番号が付いている部品はサービスパーツに選定されていません。

FIG. 2 Paper Feed Section 1

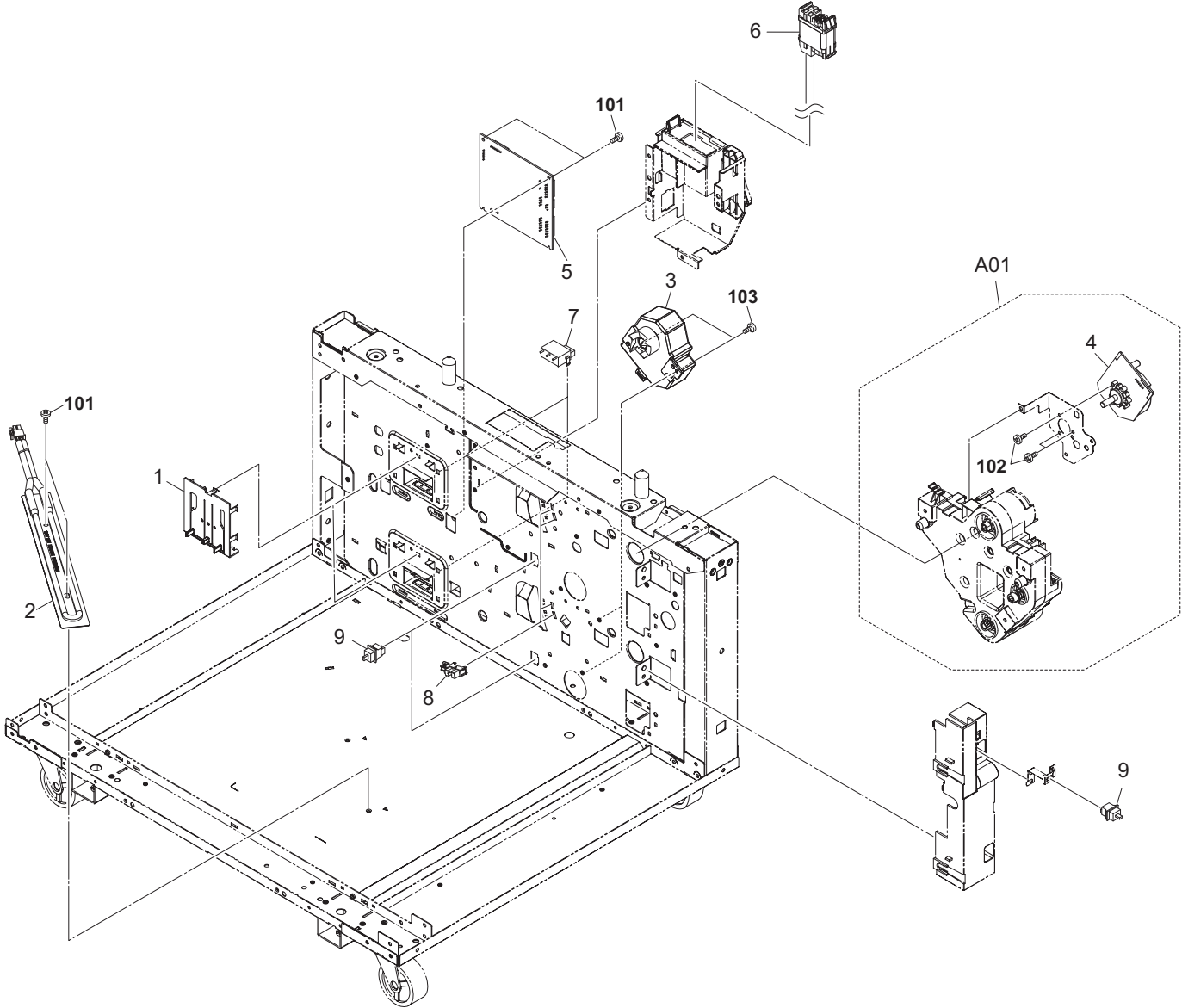


FIG. 2 Paper Feed Section 1

3NN-2

Ref. No. 番号	Part.No. 部品番号	Alternative. 代替部品番号	Description 部品名称	Notes 備考	Revision 改訂	Quantity 個数			
						100(日本)	120	230	240
1	302K309410	2K309410	PLATE SIZE DETECTION			2	2	2	2
2	302K302420	2K302420	HEATER DEHUMIDIFIER 100			1			
2	302K302430	2K302430	HEATER DEHUMIDIFIER 120				1		
2	302K302440	2K302440	HEATER DEHUMIDIFIER 240					1	1
3	302K394190	2K394190	PARTS MOTOR LIFT ASSY SP			2	2	2	2
A01	303NN94070	3NN94070	PARTS DRIVE ASSY SP			1	1	1	1
4	+303NN94020	3NN94020	PARTS MOTOR-BL W10 SP			1	1	1	1
5	303NN94012	3NN94012	PARTS PWB PF MAIN ASSY SP		2: Design-chg.	1	1	1	1
6	303NN46010	3NN46010	WIRE INTERFACE			1	1		
6	303NN46120	3NN46120	WIRE INTERFACE 200					1	1
7	5ESP03090001+01	SP000360	PUSH SWITCH 03 SN /SW-192 N			2	2	2	2
8	7NXGP1S173LCH01	NX116910	SENSOR OPT.			4	4	4	4
9	7SP01000001+H01	SP044290	SW.PUSH			3	3	3	3
101	7BB700308H	BB105600	+BIND T.T S SCREW 3X8 SR						
102	7BB000304H	BB105720	+BIND M SCREW 3X4						
103	7BB700312H	BB106820	+BIND T.T S SCREW 3X12 SR						

• Parts with a Ref.No. of 500 and above in the illustration indicate they are not selected for service parts.

• イラスト中で 500 番台の Ref 番号が付いている部品はサービスパーツに選定されていません。

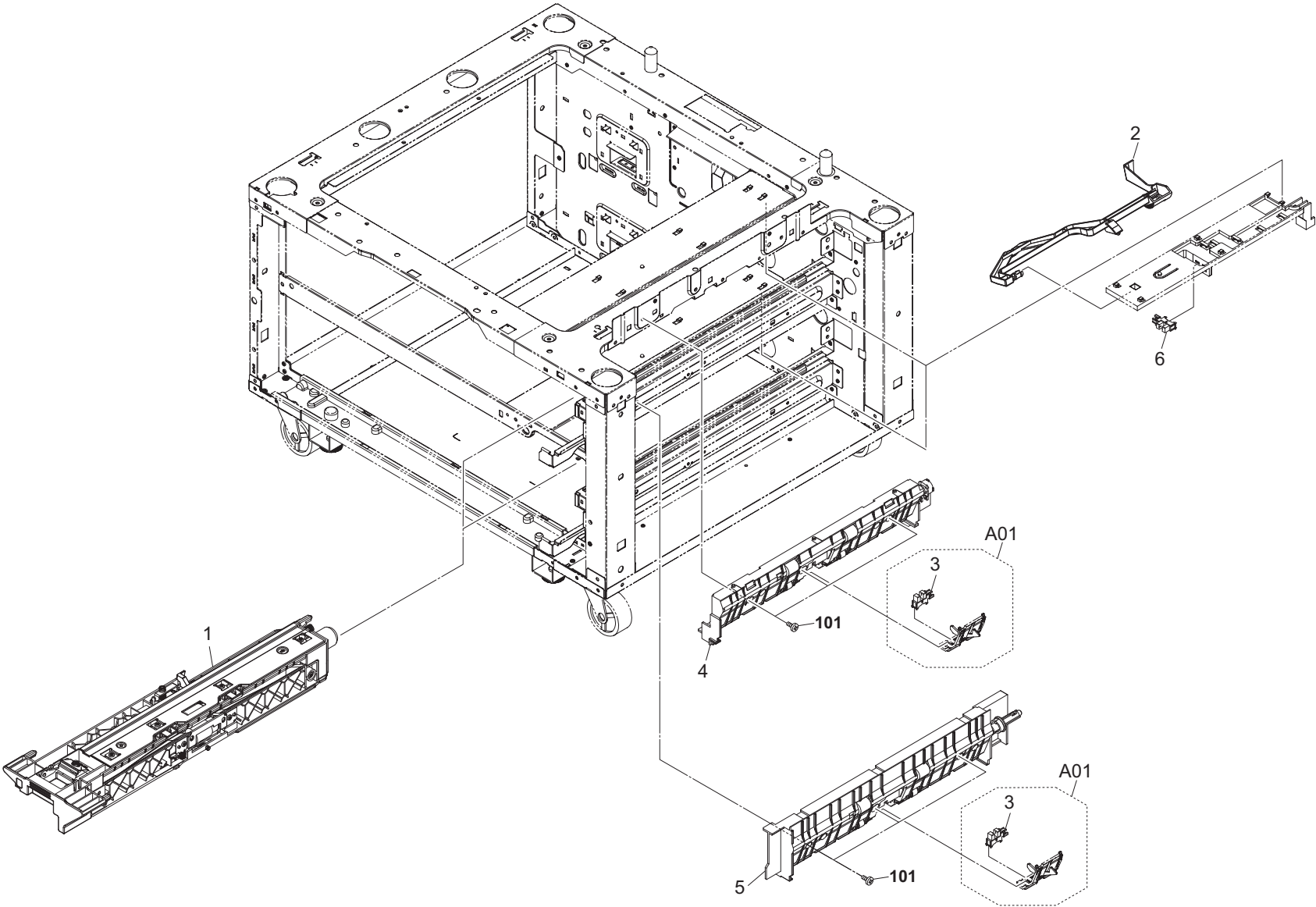


FIG. 3 Paper Feed Section 2

3NN-2

Ref. No. 番号	Part.No. 部品番号	Alternative. 代替部品番号	Description 部品名称	Notes 備考	Revision 改訂	Quantity 個数			
						100(日本)	120	230	240
1	302K394480	2K394480	PRIMARY FEED UNIT			2	2	2	2
2	302K302811	2K302811	ACTUATOR PAPER EMPTY		2: Design-chg.	2	2	2	2
A01	303NN94040	3NN94040	PARTS ACTUATOR FEED ASSY SP			2	2	2	2
3	*7NXGP1S173LCH01	NX116910	SENSOR OPT.			2	2	2	2
4	303NN94050	3NN94050	PARTS ROLLER GUIDE UPPER ASSY SP			1	1	1	1
5	303NN94060	3NN94060	PARTS ROLLER GUIDE LOWER ASSY SP			1	1	1	1
6	7NXGP1S173LCH01	NX116910	SENSOR OPT.			2	2	2	2
101	7BB702308H	BB107060	+TP-FLAT T.T S SCREW 3X8 SR						

• Parts with a Ref.No. of 500 and above in the illustration indicate they are not selected for service parts.

• イラスト中で 500 番台の Ref 番号が付いている部品はサービスパーツに選定されていません。

FIG. 4 Paper Cassette

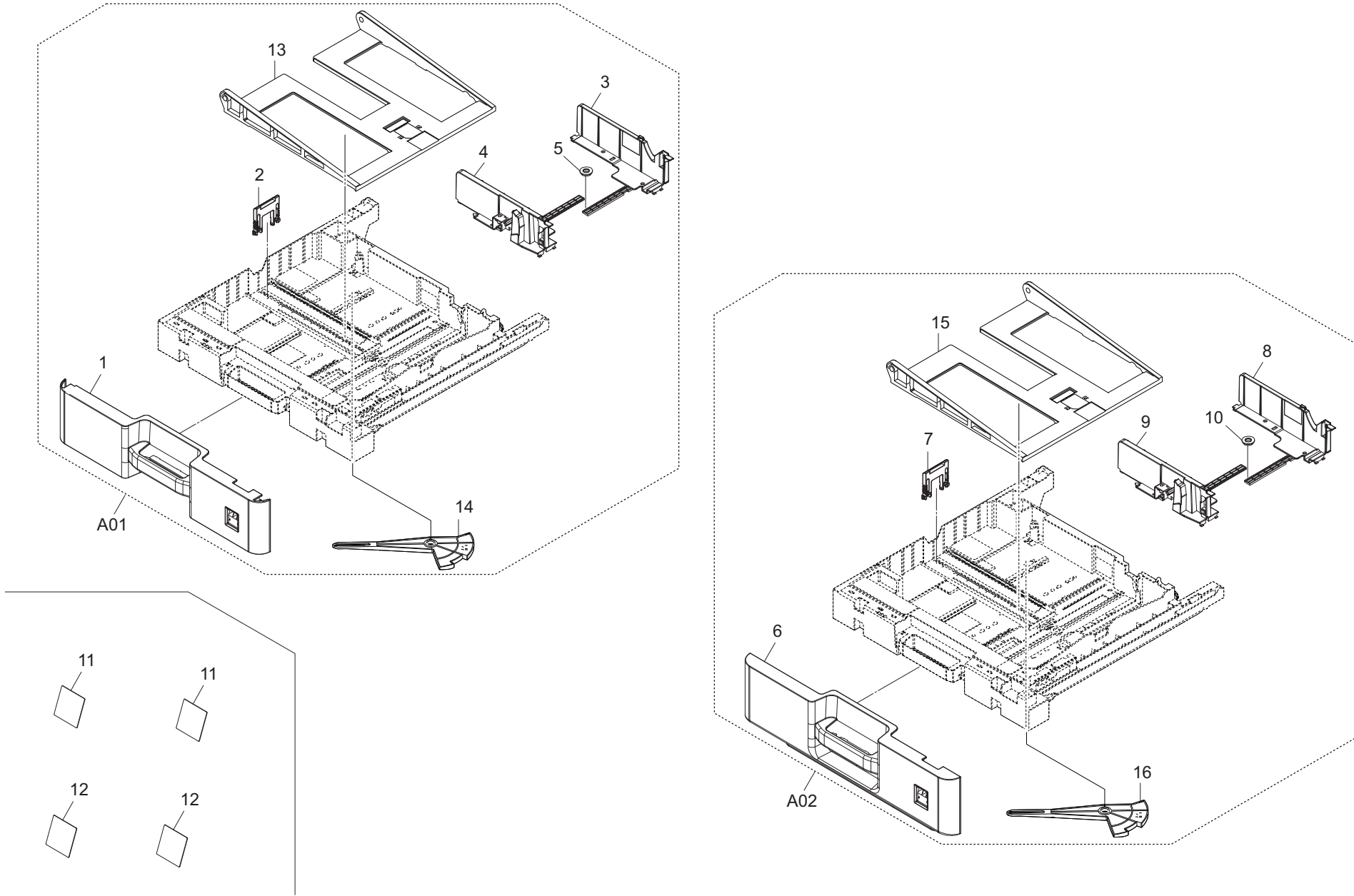


FIG. 4 Paper Cassette

3NN-2

Ref. No. 番号	Part.No. 部品番号	Alternative. 代替部品番号	Description 部品名称	Notes 備考	Revision 改訂	Quantity 個数			
						100(日本)	120	230	240
A01	302K393174	2K393174	CT-475		2: Design-chg.	1	1	1	1
1	*302K309080	2K309080	COVER CASSETTE			1	1	1	1
2	*302K309270	2K309270	CURSOR END			1	1	1	1
3	*302K309120	2K309120	CURSOR CASSETTE REAR			1	1	1	1
4	*302K309130	2K309130	CURSOR CASSETTE FRONT			1	1	1	1
5	*302K394380	2K394380	PARTS GEAR Z18 SP			1	1	1	1
13	*302K309021	2K309021	BASE CASSETTE		2: Add	1	1	1	1
14	*302K309041	2K309041	ARM SIZE DETECTION		2: Add	1	1	1	1
A02	303NN93014	3NN93014	CT-476		2: Design-chg.	1	1	1	1
6	*303NN09020	3NN09020	COVER CASSETTE LOWER			1	1	1	1
7	*302K309270	2K309270	CURSOR END			1	1	1	1
8	*302K309120	2K309120	CURSOR CASSETTE REAR			1	1	1	1
9	*302K309130	2K309130	CURSOR CASSETTE FRONT			1	1	1	1
10	*302K394380	2K394380	PARTS GEAR Z18 SP			1	1	1	1
15	*302K309021	2K309021	BASE CASSETTE		2: Add	1	1	1	1
16	*302K309041	2K309041	ARM SIZE DETECTION		2: Add	1	1	1	1
11	302K334090	2K334090	SHEET CASSETTE C			2	2	2	2
12	302K334100	2K334100	SHEET CASSETTE I			2	2	2	2

• Parts with a Ref.No. of 500 and above in the illustration indicate they are not selected for service parts.

• イラスト中で 500 番台の Ref 番号が付いている部品はサービスパーツに選定されていません。

INDEX / 索引

3NN-2

Part.No. 部品番号	Alternative. 代替部品番号	Description 部 品 名 称	Fig.No.
302K302420	2K302420	HEATER DEHUMIDIFIER 100	2
302K302430	2K302430	HEATER DEHUMIDIFIER 120	2
302K302440	2K302440	HEATER DEHUMIDIFIER 240	2
302K302811	2K302811	ACTUATOR PAPER EMPTY	3
302K309021	2K309021	BASE CASSETTE	4
302K309021	2K309021	BASE CASSETTE	4
302K309041	2K309041	ARM SIZE DETECTION	4
302K309041	2K309041	ARM SIZE DETECTION	4
302K309080	2K309080	COVER CASSETTE	4
302K309120	2K309120	CURSOR CASSETTE REAR	4
302K309120	2K309120	CURSOR CASSETTE REAR	4
302K309130	2K309130	CURSOR CASSETTE FRONT	4
302K309130	2K309130	CURSOR CASSETTE FRONT	4
302K309270	2K309270	CURSOR END	4
302K309270	2K309270	CURSOR END	4
302K309410	2K309410	PLATE SIZE DETECTION	2
302K334090	2K334090	SHEET CASSETTE C	4
302K334100	2K334100	SHEET CASSETTE I	4
302K393174	2K393174	CT-475	4
302K394190	2K394190	PARTS MOTOR LIFT ASSY SP	2
302K394380	2K394380	PARTS GEAR Z18 SP	4
302K394380	2K394380	PARTS GEAR Z18 SP	4
302K394480	2K394480	PRIMARY FEED UNIT	3
303NN04010	3NN04010	COVER RIGHT	1
303NN04020	3NN04020	COVER LEFT	1
303NN04030	3NN04030	COVER REAR	1
303NN04051	3NN04051	COVER TOP	1
303NN04510	3NN04510	COVER RIGHT FEED	1
303NN09020	3NN09020	COVER CASSETTE LOWER	4
303NN46010	3NN46010	WIRE INTERFACE	2
303NN46120	3NN46120	WIRE INTERFACE 200	2
303NN93014	3NN93014	CT-476	4
303NN94012	3NN94012	PARTS PWB PF MAIN ASSY SP	2
303NN94020	3NN94020	PARTS MOTOR-BL W10 SP	2
303NN94030	3NN94030	PARTS COVER RIGHT FEED ASSY SP	1
303NN94040	3NN94040	PARTS ACTUATOR FEED ASSY SP	3
303NN94050	3NN94050	PARTS ROLLER GUIDE UPPER ASSY SP	3
303NN94060	3NN94060	PARTS ROLLER GUIDE LOWER ASSY SP	3
303NN94070	3NN94070	PARTS DRIVE ASSY SP	2
5ESP03090001+01	SP000360	PUSH SWITCH 03 SN /SW-192 N	2
7BB000304H	BB105720	+BIND M SCREW 3X4	2
7BB700308H	BB105600	+BIND T.T S SCREW 3X8 SR	2
7BB700312H	BB106820	+BIND T.T S SCREW 3X12 SR	2
7BB702308H	BB107060	+TP-FLAT T.T S SCREW 3X8 SR	1,3
7BB702308H	BB107060	+TP-FLAT T.T S SCREW 3X8 SR	3
7NXGP1S173LCH01	NX116910	SENSOR OPT.	2,3
7NXGP1S173LCH01	NX116910	SENSOR OPT.	3
7NXGP1S173LCH01	NX116910	SENSOR OPT.	3
7SP0100001+H01	SP044290	SW.PUSH	2

DF-470

Rev.2
August 2017

———— **CONTENTS / 目次** ————

FIG. 1	Covers	2
FIG. 2	Paper Feed Section 1	4
FIG. 3	Paper Feed Section 2	6
FIG. 4	Drive Section & Electrical Components	8
	• INDEX / 索引	10

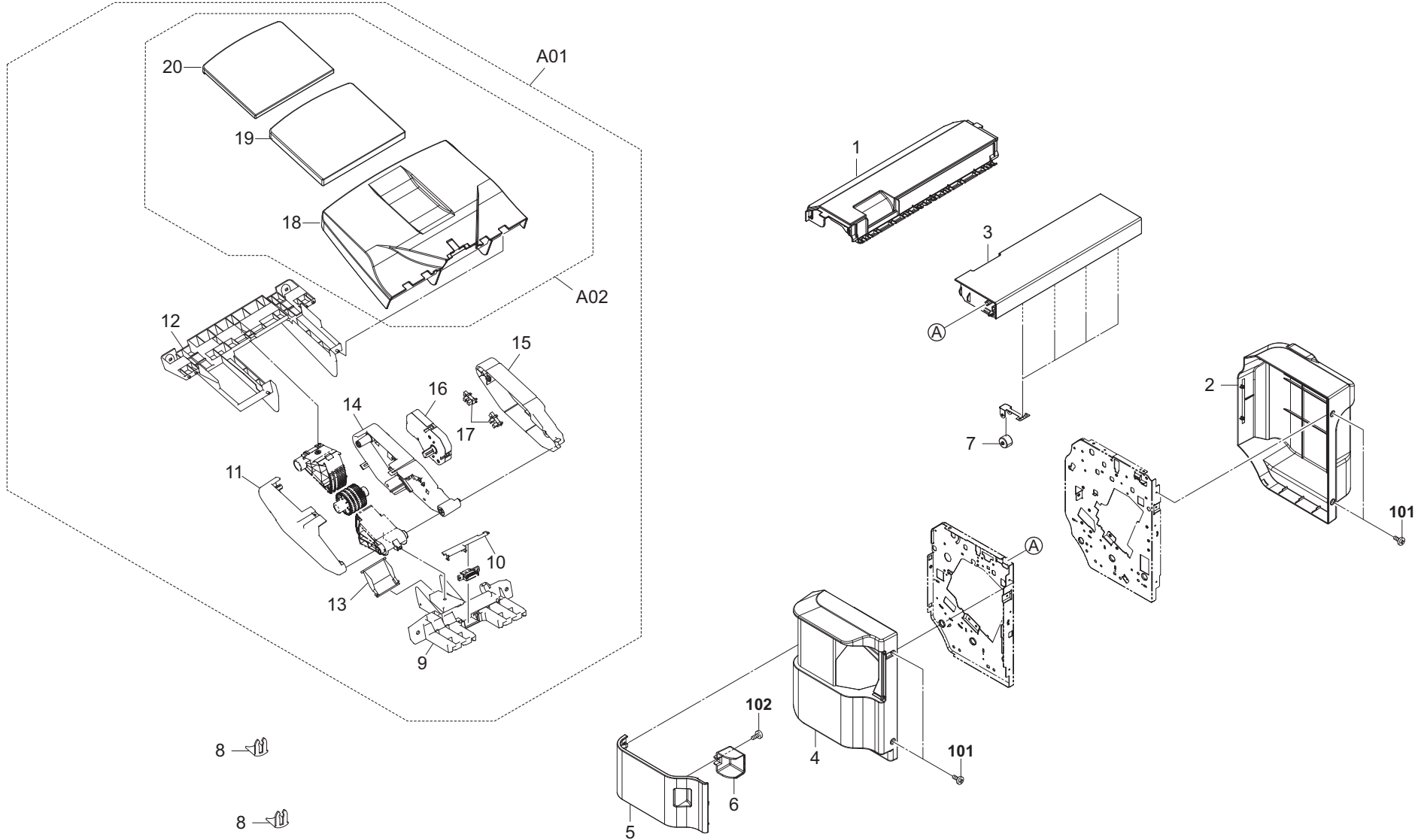


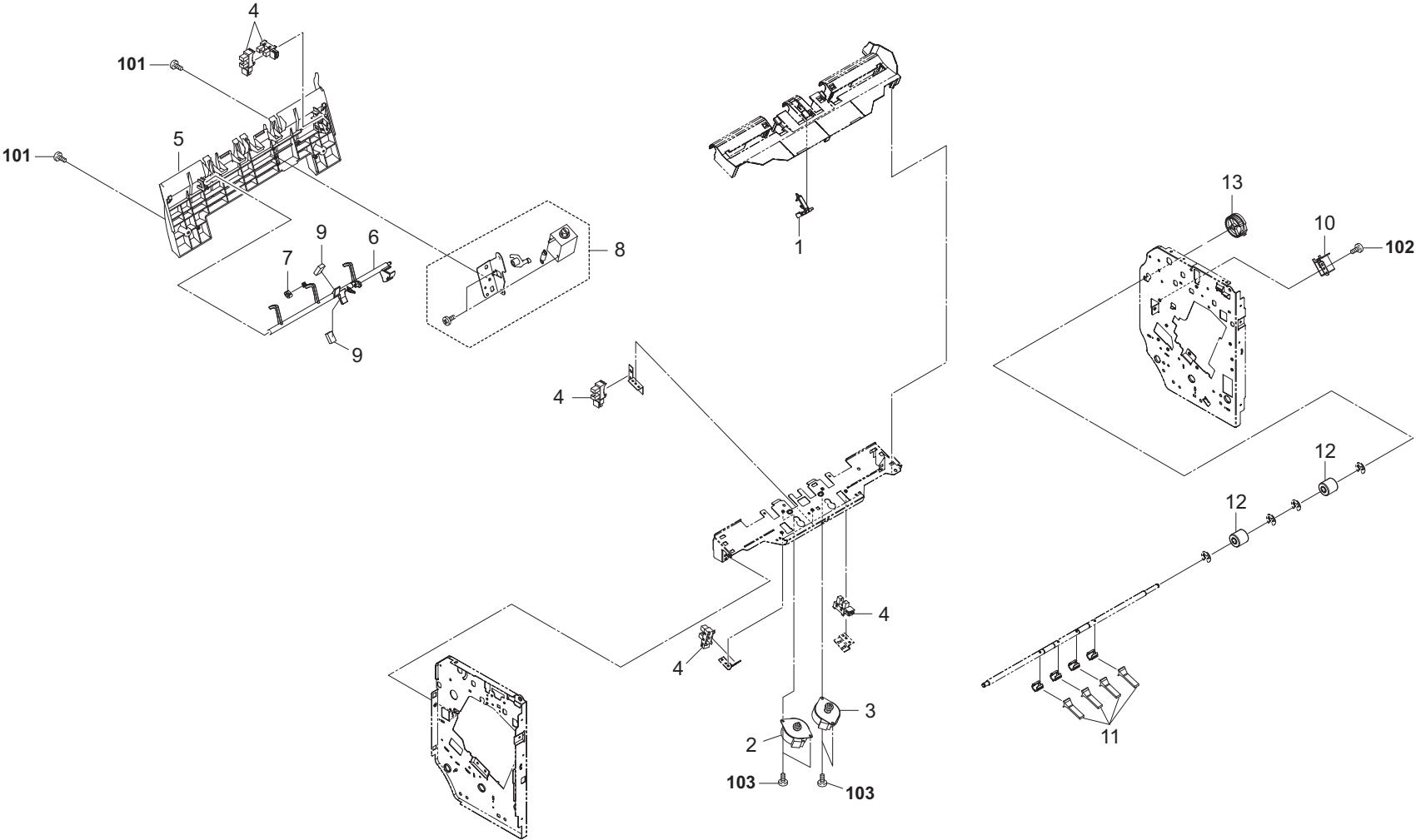
FIG. 1 Covers

5JS-1

Ref. No. 番号	Part.No. 部品番号	Alternative. 代替部品番号	Description 部 品 名 称	Notes 備 考	Revision 改 訂	Quantity 個数			
						100(日本)	120	230	240
1	305JS70040	5JS70040	COVER:CVR-TOP			1	1	1	1
2	305JS70020	5JS70020	COVER:CVR-REAR			1	1	1	1
3	305JS70050	5JS70050	COVER:CVR-JAM			1	1	1	1
4	305JS70300	5JS70300	COVER:ASY-S/P-CVR-F-M			1	1	1	1
5	305JS70030	5JS70030	COVER:CVR-FRONT-S-1			1	1	1	1
6	305JS70110	5JS70110	COVER:CVR-FRONT-S-2			1	1	1	1
7	305JA70850	5JA70850	KORO-FE-ENT			4	4	4	4
8	305JS70250	5JS70250	STOPPER:CLIP050140W			2	2	2	2
A01	305JS70290	5JS70290	TRAY:ASY-S/P-TRY-S			1	1	1	1
9	*305JS70160	5JS70160	COVER:HLDR-S-BASE			1	1	1	1
10	*305JS70170	5JS70170	COVER:CVR-S-BASE			1	1	1	1
11	*305JS70100	5JS70100	COVER:HLDR-S-LINK-F			1	1	1	1
12	*305JS70150	5JS70150	COVER:HLDR-S-TRY			1	1	1	1
13	*305JS70180	5JS70180	COVER:LEV-S-SHUT			1	1	1	1
14	*305JS70200	5JS70200	COVER:HLDR-S-LINK-R-A			1	1	1	1
15	*305JS70210	5JS70210	COVER:CVR-S-LINK-R-A			1	1	1	1
16	*305JS70240	5JS70240	MOTOR:MOTOR,DC GEARED			1	1	1	1
17	*305JA70070	5JA70070	GP1S73P2J00F			2	2	2	2
A02	**305JS70280	5JS70280	TRAY:ASY-S/P-TRY-SUB			1	1	1	1
18	**305JS70120	5JS70120	COVER:TRY-S-MAIN			1	1	1	1
19	**305JS70130	5JS70130	COVER:TRY-S-SUB			1	1	1	1
20	**305JS70140	5JS70140	COVER:TRY-S-MID			1	1	1	1
101	5HL08470	5HL08470	SCR-M3X6BISR-3C						
102	305JA70030	5JA70030	SCR-030-080-WBB						

• Parts with a Ref.No. of 500 and above in the illustration indicate they are not selected for service parts.

• イラスト中で 500 番台の Ref 番号が付いている部品はサービスパーツに選定されていません。



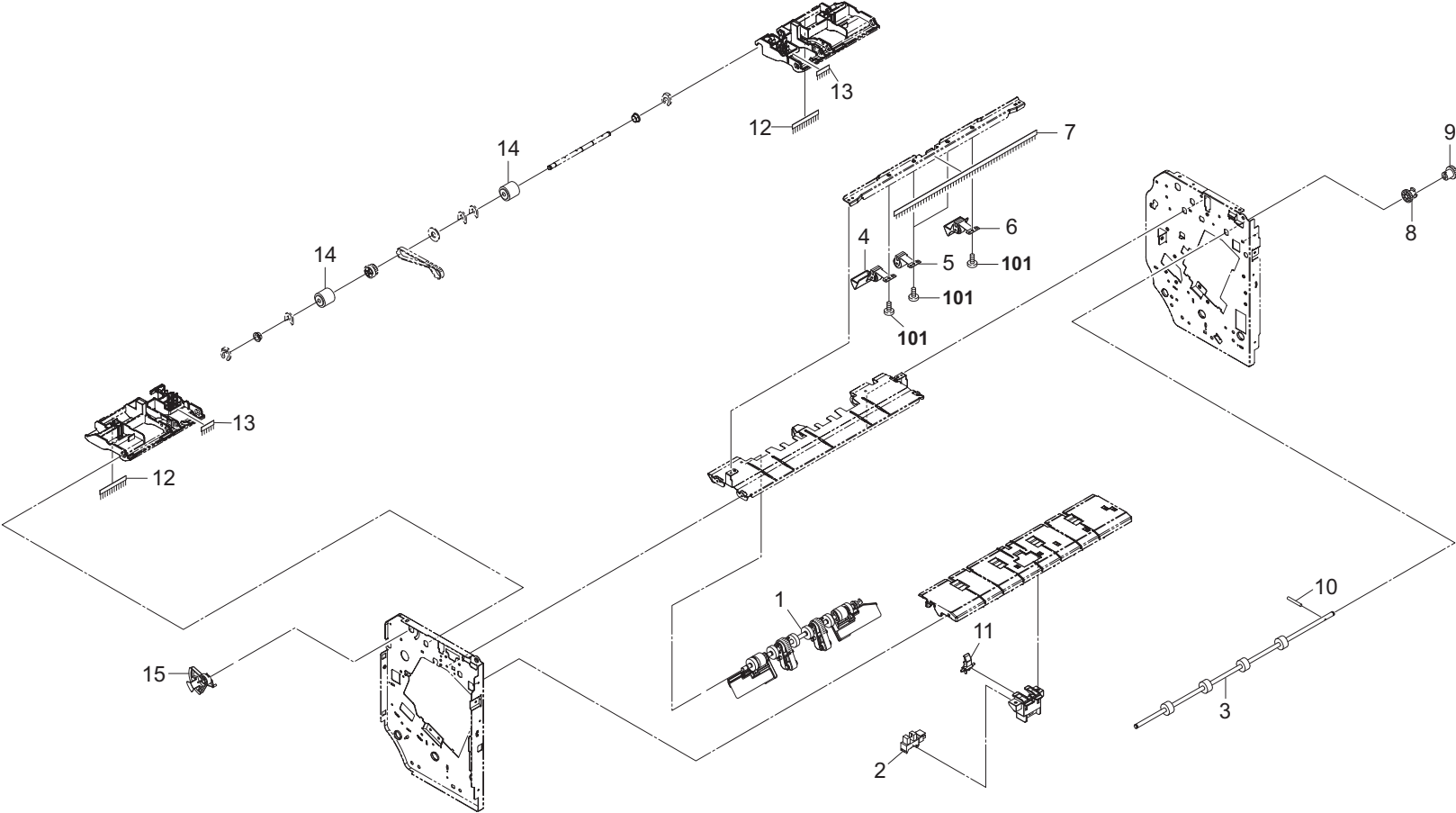
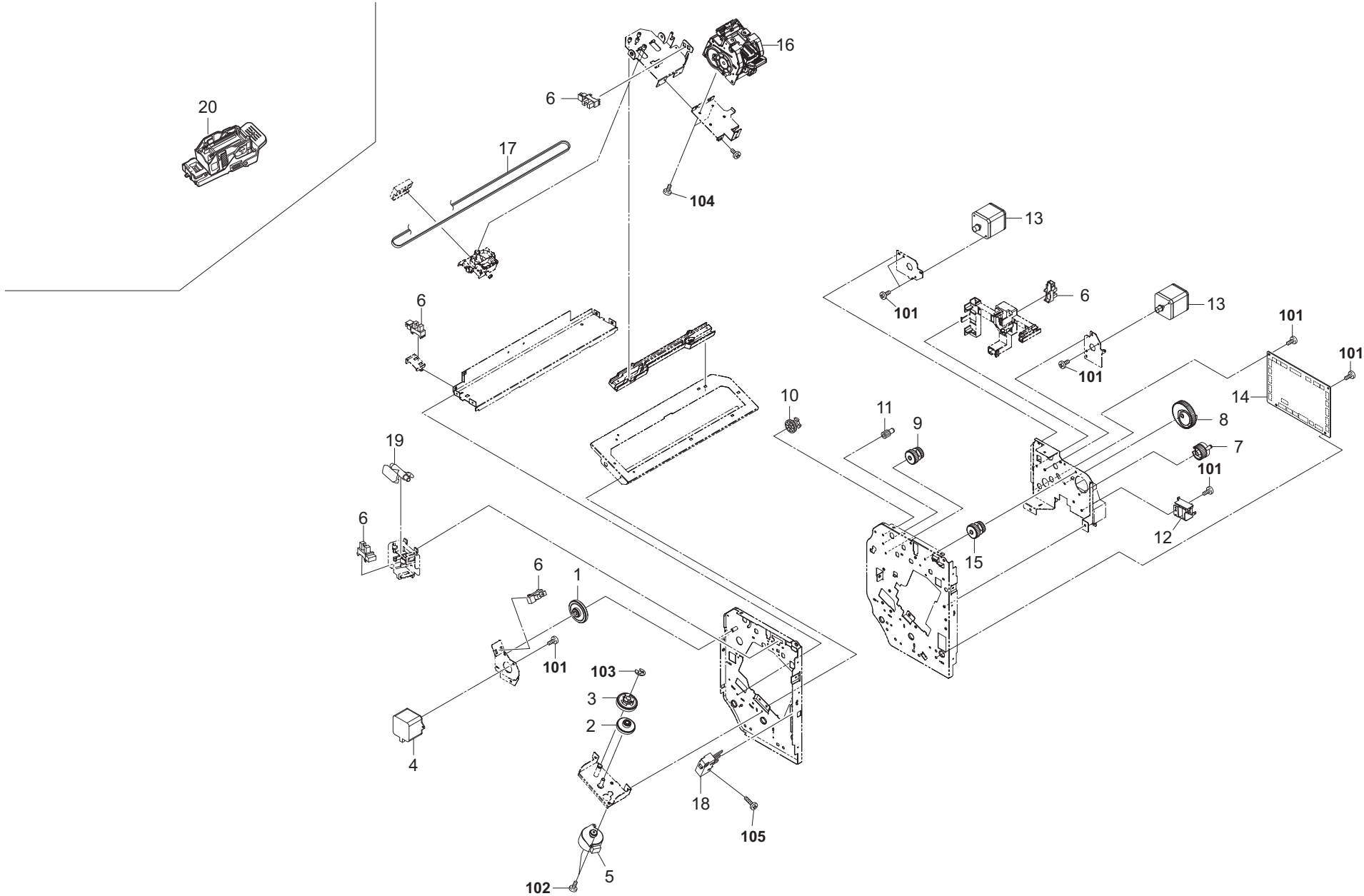


FIG. 4 Drive Section & Electrical Components



INDEX / 索引

5JS-2

Part.No. 部品番号	Alternative. 代替部品番号	Description 部品名称	Fig.No.
303JY38750	3JY38750	CARTRIDGE EH590	4
303JY44011	3JY44011	STAPLER EH590	4
305H080470	5H080470	SCR03M060-WS-W	4
305H180600	5H180600	SCR-030-060NSW	4
305H280430	5H280430	SCR-030-060WTP	2,3
305JA70010	5JA70010	SCR-023-100ZWS	4
305JA70030	5JA70030	SCR-030-080-WBB	1,2
305JA70060	5JA70060	DE2L-FJ15	4
305JA70070	5JA70070	GP1S73P2J00F	1,2
305JA70150	5JA70150	BELTS3M284040	4
305JA70280	5JA70280	CUSH-YO	2
305JA70310	5JA70310	ROL-FE-PICK	3
305JA70330	5JA70330	PDL-PR-EXIT	2
305JA70380	5JA70380	DMP-PR-YO	2
305JA70390	5JA70390	GER-080-17-42	4
305JA70490	5JA70490	MOT-17PM-J343-P3VS	4
305JA70500	5JA70500	MOT-17PM-J052-G1VS	4
305JA70660	5JA70660	GER-080-47-PLY-S3M-18	4
305JA70740	5JA70740	GER-080-43-KH	2
305JA70750	5JA70750	GER-080-16	4
305JA70760	5JA70760	GER-080-32	3
305JA70770	5JA70770	GER-080-32-PLY-S2M-35	4
305JA70780	5JA70780	GER-080-32-PLY-S2M-18	3,4
305JA70790	5JA70790	GER-080-64-CAM	4
305JA70810	5JA70810	GER-080-32-KH	4
305JA70830	5JA70830	GER-100-56	3
305JA70850	5JA70850	KORO-FE-ENT	1
305JA70880	5JA70880	LVR-FE-SEN-ENT	3
305JA70940	5JA70940	LVR-YO	2
305JA71360	5JA71360	ROL-FE-FEED-ENT	3
305JA71410	5JA71410	BRSH-PICK-1	3
305JA71420	5JA71420	BRSH-PICK-2	3
305JA71430	5JA71430	BRSH-PICK-3	3
305JA71490	5JA71490	SOL-TDS-F12G-68	4
305JA71500	5JA71500	MOT-PM42L-048-NSE4	4
305JA71510	5JA71510	MOT-PM42M-048-NSE3	2
305JA71520	5JA71520	MOT-PM42M-048-NSF0	2
305JA71820	5JA71820	GER-080-32-PLY-S2M28	4
305JA71850	5JA71850	LVR-PR-SEIGO-SEN-KM	2
305JA72510	5JA72510	SCR-030-060	2
305JA72800	5JA72800	GER-100-16-050-88	4
305JA72810	5JA72810	ROL-PR-EXIT-W	2
305JA73180	5JA73180	ASY-BLT-KM	3
305JS70020	5JS70020	COVER:CVR-REAR	1
305JS70030	5JS70030	COVER:CVR-FRONT-S-1	1
305JS70040	5JS70040	COVER:CVR-TOP	1
305JS70050	5JS70050	COVER:CVR-JAM	1
305JS70100	5JS70100	COVER:HLDR-S-LINK-F	1
305JS70110	5JS70110	COVER:CVR-FRONT-S-2	1
305JS70120	5JS70120	COVER:TRY-S-MAIN	1
305JS70130	5JS70130	COVER:TRY-S-SUB	1

Part.No. 部品番号	Alternative. 代替部品番号	Description 部品名称	Fig.No.
305JS70140	5JS70140	COVER:TRY-S-MID	1
305JS70150	5JS70150	COVER:HLDR-S-TRY	1
305JS70160	5JS70160	COVER:HLDR-S-BASE	1
305JS70170	5JS70170	COVER:CVR-S-BASE	1
305JS70180	5JS70180	COVER:LEV-S-SHUT	1
305JS70190	5JS70190	COVER:CVR-PR-WALL	2
305JS70200	5JS70200	COVER:HLDR-S-LINK-R-A	1
305JS70210	5JS70210	COVER:CVR-S-LINK-R-A	1
305JS70240	5JS70240	MOTOR:MOTOR,DC GEARED	1
305JS70250	5JS70250	STOPPER:CLIP050140W	1
305JS70260	5JS70260	PWB:PBA-CONTROL	4
305JS70270	5JS70270	SOLENOID:SOL-TDS-F12G-67A	2
305JS70280	5JS70280	TRAY:ASY-S/P-TRY-SUB	1
305JS70290	5JS70290	TRAY:ASY-S/P-TRY-S	1
305JS70300	5JS70300	COVER:ASY-S/P-CVR-F-M	1
305JS70310	5JS70310	SOLENOID:ASY-YO-SOL	2
305JS70320	5JS70320	BRACKET:K-SP-BLT-F-N	3
305JS70330	5JS70330	BRACKET:K-SP-BLT-C-N	3
305JS70340	5JS70340	BRACKET:K-SP-BLT-R-N	3
305JS70350	5JS70350	LEVER:LVR-SEN-CVR-JAM	4
5AA09060	5AA09060	PIN DOWEL 2*10	3
5HL08300	5HL08300	ER-070	4
5HL08470	5HL08470	SCR-M3X6BISR-3C	1

AK-470

Rev.1
August 2017

—— CONTENTS / 目次 ——

FIG. 1 AK-470 2

FIG. 1 AK-470

3NS-1

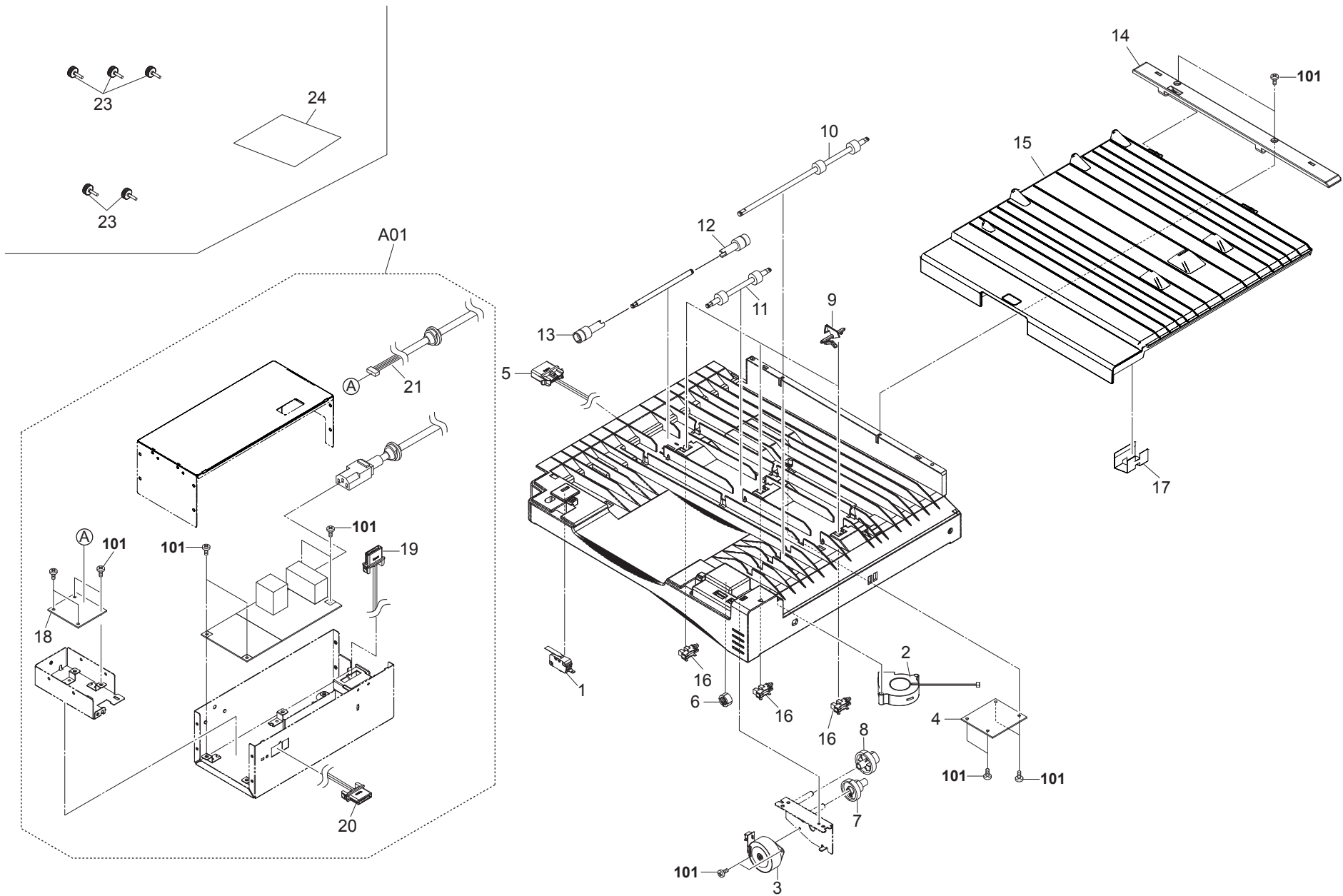


FIG. 1 AK-470

3NS-1

Ref. No. 番号	Part.No. 部品番号	Alternative. 代替部品番号	Description 部品名称	Notes 備考	Revision 改訂	Quantity 個数			
						100(日本)	120	230	240
1	2FB27160	2FB27160	INTER LOCK SWITCH			1	1	1	1
2	302FZ94660	2FZ94660	PARTS,FAN IMAGE SP			1	1	1	1
3	302HN44100	2HN44100	MOTOR REVERSE			1	1	1	1
4	303NS94010	3NS94010	PARTS PWB BRIDGE MAIN ASSY SP			1	1	1	1
5	303NS46040	3NS46040	WIRE BRIDGE			1	1	1	1
6	303NS94030	3NS94030	PARTS GEAR Z28 SP			1	1	1	1
7	303NS94040	3NS94040	PARTS GEAR Z28-Z52 SP			1	1	1	1
8	303NS94050	3NS94050	PARTS GEAR Z28-Z56 SP			1	1	1	1
9	303NS24070	3NS24070	ACTUATOR FEED			3	3	3	3
10	303NS94060	3NS94060	PARTS ROLLER FEED A SP			1	1	1	1
11	303NS94070	3NS94070	PARTS ROLLER FEED B SP			1	1	1	1
12	303NS94080	3NS94080	PARTS ROLLER FEED C SP			1	1	1	1
13	303NS94090	3NS94090	PARTS ROLLER FEED D SP			1	1	1	1
14	303NS24220	3NS24220	GUIDE UPPER REAR			1	1	1	1
15	303NS94111	3NS94111	PARTS GUIDE UPPER ASSY SP			1	1	1	1
16	7NXGP1S173LCH01	NX116910	SENSOR OPT.			3	3	3	3
17	303NS24510	3NS24510	SHEET SW			1	1	1	1
A01	303NS94130	3NS94130	PARTS LVU BOX ASSY SP			1	1	1	1
18	303NS94020	3NS94020	PARTS PWB BRIDGE CONNECT ASSY SP			1	1	1	1
19	303NS46050	3NS46050	WIRE DF IF			1	1	1	1
20	303NS46060	3NS46060	WIRE BRIDGE IF			1	1	1	1
21	303NS46090	3NS46090	WIRE POWER			1	1	1	1
23	303NS24410	3NS24410	SCREW PLATE DF			5	5	5	5
24	303NS34050	3NS34050	LABEL PUSH SET			1	1	1	1
101	7BB700308H	BB105600	+BIND T.T S SCREW 3X8 SR						

• Parts with a Ref.No. of 500 and above in the illustration indicate they are not selected for service parts.

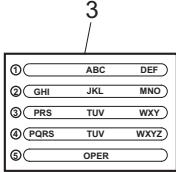
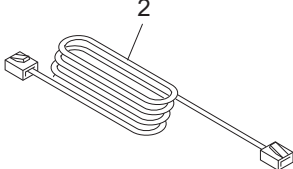
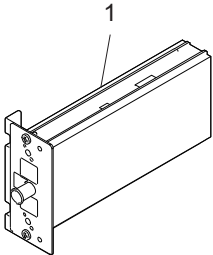
• イラスト中で 500 番台の Ref 番号が付いている部品はサービスパーツに選定されていません。

FAX System 13

First Edition
August 2017

—— CONTENTS / 目次 ——

FIG. 1 FAX System 13 2



KYOCERA Document Solutions America, Inc.**Headquarters**

225 Sand Road,
Fairfield, New Jersey 07004-0008, USA
Phone: +1-973-808-8444
Fax: +1-973-882-6000

Latin America

8240 NW 52nd Terrace Dawson Building, Suite 100
Miami, Florida 33166, USA
Phone: +1-305-421-6640
Fax: +1-305-421-6666

KYOCERA Document Solutions Canada, Ltd.

6120 Kestrel Rd., Mississauga, ON L5T 1S8,
Canada
Phone: +1-905-670-4425
Fax: +1-905-670-8116

KYOCERA Document Solutions**Mexico, S.A. de C.V.**

Calle Arquimedes No. 130, 4 Piso, Colonia Polanco
Chapultepec, Delegacion Miguel Hidalgo,
Distrito Federal, C.P. 11560, México
Phone: +52-555-383-2741
Fax: +52-555-383-7804

KYOCERA Document Solutions Brazil, Ltda.

Alameda África, 545, Pólo Empresarial Consbrás,
Tamboré, Santana de Parnaíba, State of São Paulo,
CEP 06543-306, Brazil
Phone: +55-11-2424-5353
Fax: +55-11-2424-5304

KYOCERA Document Solutions Chile SpA

Jose Ananias 505, Macul. Santiago, Chile
Phone: +562-2350-7000
Fax: +562-2350-7150

KYOCERA Document Solutions**Australia Pty. Ltd.**

Level 3, 6-10 Talavera Road North Ryde N.S.W, 2113,
Australia
Phone: +61-2-9888-9999
Fax: +61-2-9888-9588

KYOCERA Document Solutions**New Zealand Ltd.**

Ground Floor, 19 Byron Avenue, Takapuna, Auckland,
New Zealand
Phone: +64-9-415-4517
Fax: +64-9-415-4597

KYOCERA Document Solutions Asia Limited

13/F.,Mita Centre, 552-566, Castle Peak Road Tsuen
Wan, New Territories, Hong Kong
Phone: +852-2496-5678
Fax: +852-2610-2063

KYOCERA Document Solutions**(China) Corporation**

8F, No. 288 Nanjing Road West, Huangpu District,
Shanghai,200003, China
Phone: +86-21-5301-1777
Fax: +86-21-5302-8300

KYOCERA Document Solutions**(Thailand) Corp., Ltd.**

335 Ratchadapisek Road, Wongsawang, Bangsue,
Bangkok 10800,
Thailand
Phone: +66-2-586-0333
Fax: +66-2-586-0278

KYOCERA Document Solutions**Singapore Pte. Ltd.**

12 Tai Seng Street #04-01A,
Luxasia Building, Singapore 534118
Phone: +65-6741-8733
Fax: +65-6748-3788

KYOCERA Document Solutions**Hong Kong Limited**

16/F.,Mita Centre, 552-566, Castle Peak Road Tsuen
Wan, New Territories, Hong Kong
Phone: +852-3582-4000
Fax: +852-3185-1399

KYOCERA Document Solutions**Taiwan Corporation**

6F., No.37, Sec. 3, Minquan E. Rd.,
Zhongshan Dist., Taipei 104, Taiwan R.O.C.
Phone: +886-2-2507-6709
Fax: +886-2-2507-8432

KYOCERA Document Solutions Korea Co., Ltd.

#10F Daewoo Foundation Bldg 18, Toegye-ro, Jung-gu,
Seoul, Korea
Phone: +822-6933-4050
Fax: +822-747-0084

KYOCERA Document Solutions**India Private Limited**

Second Floor, Centrum Plaza, Golf Course Road,
Sector-53, Gurgaon, Haryana 122002, India
Phone: +91-0124-4671000
Fax: +91-0124-4671001

KYOCERA Document Solutions Europe B.V.

Bloemlaan 4, 2132 NP Hoofddorp,
The Netherlands
Phone: +31-20-654-0000
Fax: +31-20-653-1256

KYOCERA Document Solutions Nederland B.V.

Beechavenue 25, 1119 RA Schiphol-Rijk,
The Netherlands
Phone: +31-20-5877200
Fax: +31-20-5877260

KYOCERA Document Solutions (U.K.) Limited

Eldon Court, 75-77 London Road,
Reading, Berkshire RG1 5BS,
United Kingdom
Phone: +44-118-931-1500
Fax: +44-118-931-1108

KYOCERA Document Solutions Italia S.p.A.

Via Monfalcone 15, 20132, Milano, Italy,
Phone: +39-02-921791
Fax: +39-02-92179-600

KYOCERA Document Solutions Belgium N.V.

Sint-Martinusweg 199-201 1930 Zaventem,
Belgium
Phone: +32-2-7209270
Fax: +32-2-7208748

KYOCERA Document Solutions France S.A.S.

Espace Technologique de St Aubin
Route de l'Orme 91195 Gif-sur-Yvette CEDEX,
France
Phone: +33-1-69852600
Fax: +33-1-69853409

KYOCERA Document Solutions Espana, S.A.

Edificio Kyocera, Avda. de Manacor No.2,
28290 Las Matas (Madrid), Spain
Phone: +34-91-6318392
Fax: +34-91-6318219

KYOCERA Document Solutions Finland Oy

Atomitie 5C, 00370 Helsinki,
Finland
Phone: +358-9-47805200
Fax: +358-9-47805212

**KYOCERA Document Solutions
Europe B.V., Amsterdam (NL) Zürich Branch**

Hohlstrasse 614, 8048 Zürich,
Switzerland
Phone: +41-44-9084949
Fax: +41-44-9084950

**KYOCERA Bilgitas Document Solutions
Turkey A.S.**

Gülbahar Mahallesi Otello Kamil Sk. No:6 Mecidiyeköy
34394 Şişli İstanbul, Turkey
Phone: +90-212-356-7000
Fax: +90-212-356-6725

**KYOCERA Document Solutions
Deutschland GmbH**

Otto-Hahn-Strasse 12, 40670 Meerbusch,
Germany
Phone: +49-2159-9180
Fax: +49-2159-918100

KYOCERA Document Solutions Austria GmbH

Wienerbergstraße 11, Turm A, 18. OG, 1100 Wien,
Austria
Phone: +43-1-863380
Fax: +43-1-86338-400

KYOCERA Document Solutions Nordic AB

Esbogatan 16B 164 75 Kista, Sweden
Phone: +46-8-546-550-00
Fax: +46-8-546-550-10

京セラドキュメントソリューションズ株式会社
京セラドキュメントソリューションズジャパン株式会社

KYOCERA Document Solutions Norge Nuf

Olaf Helsetsv. 6, 0619 Oslo, Norway
Phone: +47-22-62-73-00
Fax: +47-22-62-72-00

KYOCERA Document Solutions Danmark A/S

Ejby Industrivej 60, DK-2600 Glostrup,
Denmark
Phone: +45-70223880
Fax: +45-45765850

KYOCERA Document Solutions Portugal Lda.

Rua do Centro Cultural, 41 (Alvalade) 1700-106 Lisboa,
Portugal
Phone: +351-21-843-6780
Fax: +351-21-849-3312

**KYOCERA Document Solutions
South Africa (Pty) Ltd.**

KYOCERA House, Hertford Office Park,
90 Bekker Road (Cnr. Allandale), Midrand, South Africa
Phone: +27-11-540-2600
Fax: +27-11-466-3050

KYOCERA Document Solutions Russia LLC.

Building 2, 51/4, Schepkina St., 129110, Moscow,
Russia
Phone: +7(495)741-0004
Fax: +7(495)741-0018

KYOCERA Document Solutions Middle East

Dubai Internet City, Bldg. 17,
Office 157 P.O. Box 500817, Dubai,
United Arab Emirates
Phone: +971-04-433-0412

KYOCERA Document Solutions Inc.

2-28, 1-chome, Tamatsukuri, Chuo-ku
Osaka 540-8585, Japan
Phone: +81-6-6764-3555
<http://www.kyoceradocumentsolutions.com>